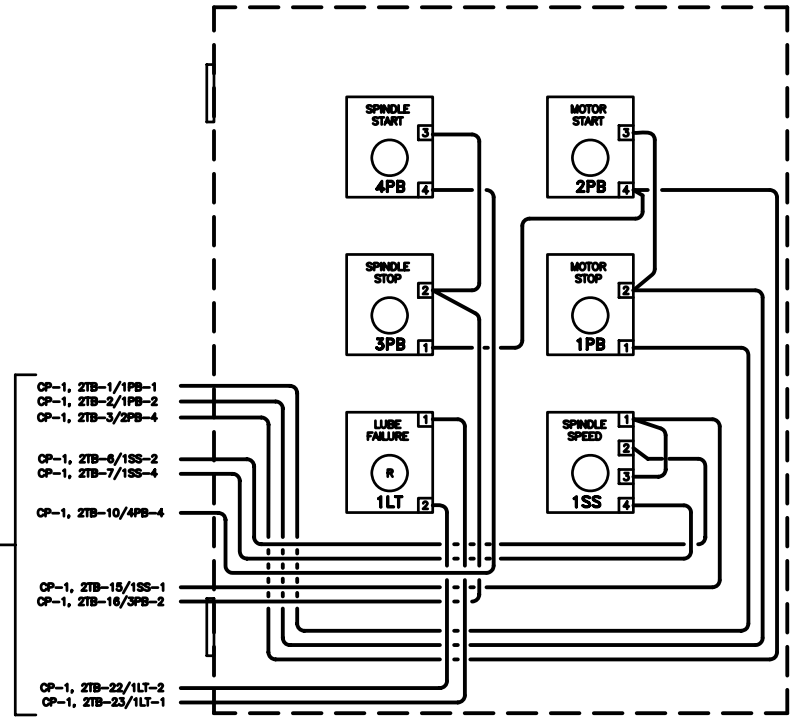


8 7 6 5 4 3 2 1

H
G
F
E
D
C
B
A

- GENERAL NOTES:**
1. TERMINATIONS SHOWN ARE TYPICAL OF COMMON INDUSTRY STANDARD EQUIPMENT. CHANGE PROJECT DESIGN TO SHOW ACTUAL SPECIFIC EQUIPMENT USED.
 2. LABELS FOR INTERNAL WIRING SHALL USE ADDRESSING METHOD AS SHOWN.
 3. SEE MATERIAL/COMPONENT LIST DRAWING XXXX.



CONT. ON
DWG.
E-6060

CP-1 DOOR CONNECTION DIAGRAM (BACK)
SCALE: NONE

DESIGNER:
PANEL CONNECTION DIAGRAM IS TO BE
PROJECT-SPECIFIC. CONSULT LAM, ESM
COMPLETE TITLEBLOCK AS REQUIRED PER
LAM DRAFTING MANUAL.

PRIORITY DRAWING

DESIGNER NOTE:
REFER TO ESM CHAPTER 8,
I.M.C. APPENDIX H.

NO	DATE	CLASS REV	ADD	DESCRIPTION	DESIGNED	CHECKED	DATE
ADTS - ENGINEERING DIVISION							
ENGINEERING STANDARDS MANUAL						DRWEN	ELFRENCH
MACHINE X CP-1 DOOR CONNECTION DIAGRAM						DESIGN	M.C. LINDSAY
BLDG X						CHECKED/OUT	
SUBMITTED						DATE	8-31-08
DISCIPLINE POC: MIL BURNETT						APPROVED FOR RELEASE	TA-X
STANDARDS MANAGER: TOM CRUCH						DATE	
CLASSIFICATION U						REVISOR	TOM CRUCH
PROJECT ID						DATE	
CHAPTER 8						REV	1
E-6061						DATE	
DRAWING NO						REV	0