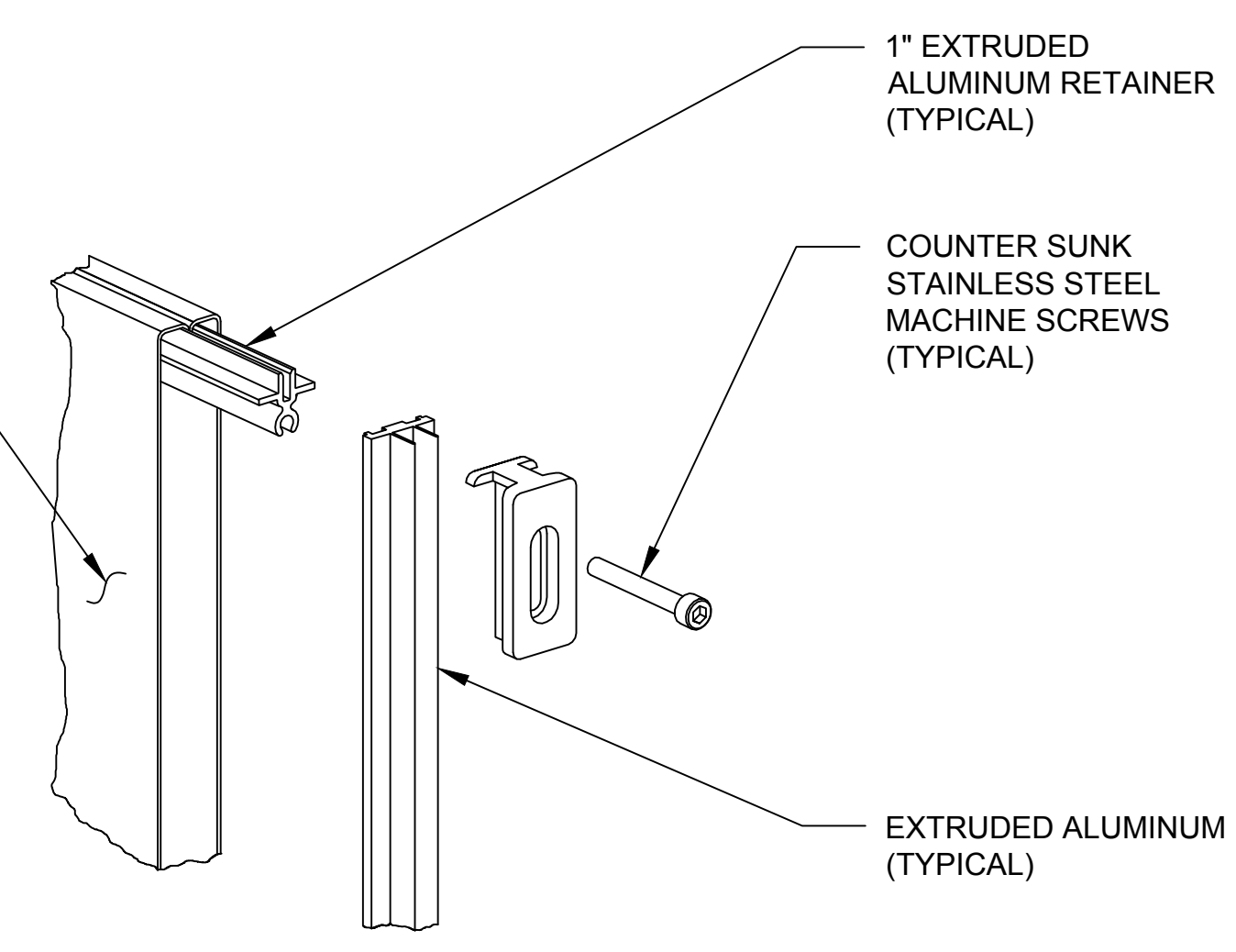


**PLAN VIEW**

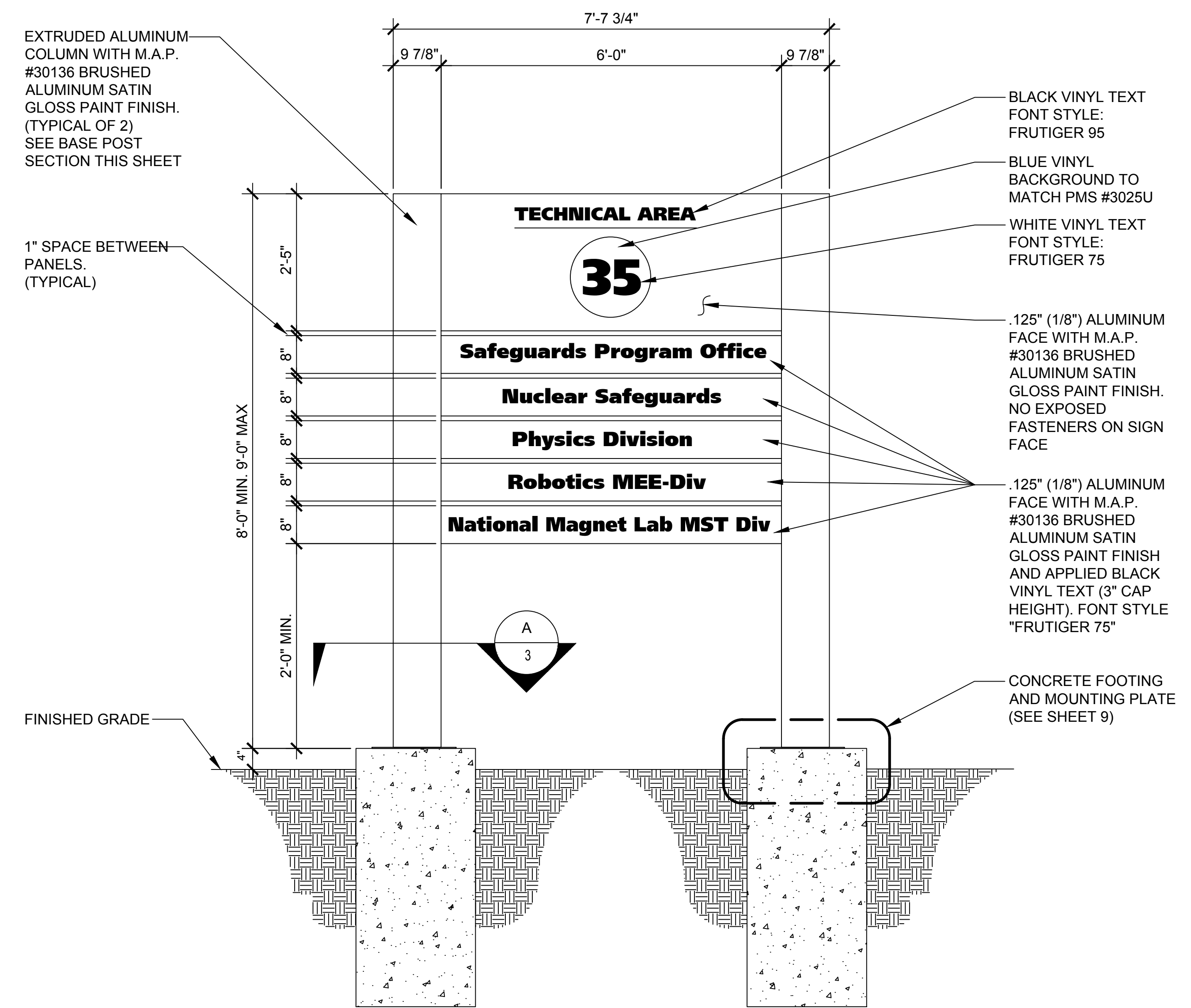
.125" (1/8") ALUMINUM FACE WITH M.A.P. #30136 BRUSHED ALUMINUM SATIN GLOSS PAINT FINISH AND APPLIED VINYL GRAPHICS AND TEXT. NO EXPOSED FASTENERS ON SIGN FACE



**ISOMETRIC VIEW**

**NOTES FOR DESIGNER:**

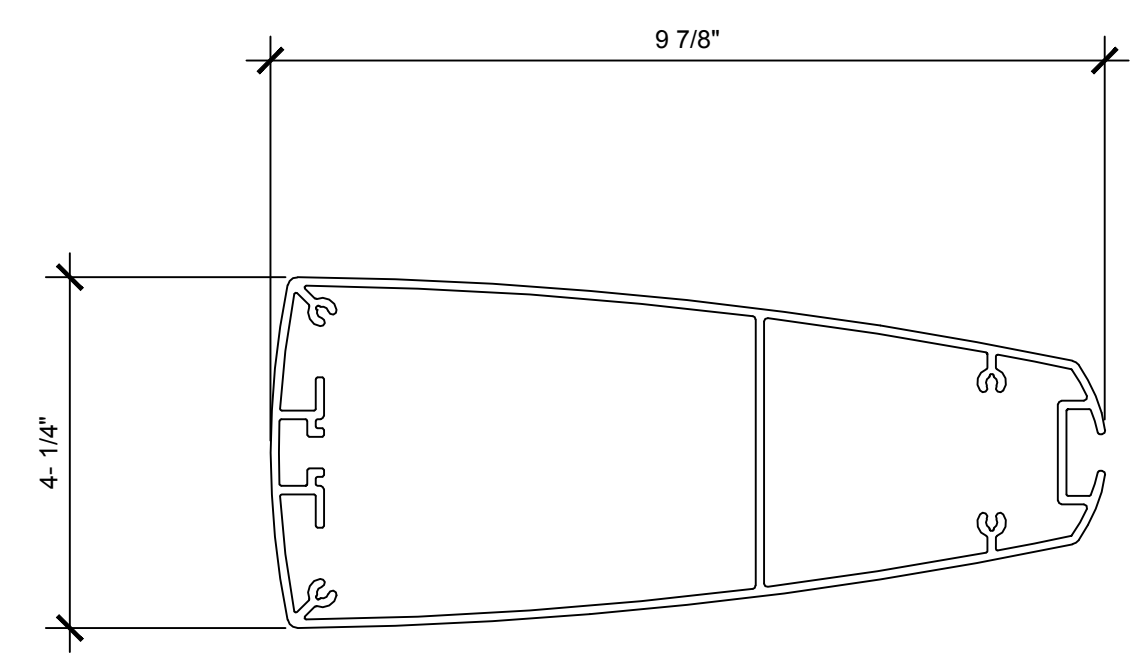
- (DO NOT INCLUDE ON CONSTRUCTION DRAWINGS)
- COORDINATE WITH LANL MASTER SPECIFICATION 10 1405.
  - EDIT THIS DRAWING TO RELECT SPECIFIC PROJECT REQUIREMENTS.



**FRONT VIEW**

**DIVISION IDENTIFICATION SIGN**

SCALE: NONE



**BASE POST SECTION**

DRAWING DEVELOPED FOR ML-3/ML-4 PROJECTS. FOR ML-1/ML-2, ADDITIONAL REQUIREMENTS AND QA REVIEWS ARE REQUIRED. (REMOVE THIS NOTE WHEN INSERTED INTO A DRAWING PACKAGE)

NO	DATE	CLASS REV	DC	DESCRIPTION	DWN	DSGN	CHKD	SUB	APP
2	06/27/2016	UNCLASS	EJS	ADMIN. CHANGES TO NEW FORMAT CAD STD REV#5	EJS	N/A	SR	SR	TO
1	08/30/2012	U	EJS	REVISED FOOTING DETAIL	SR	SR	RT	DC	TO

**ENGINEERING STANDARDS**

**ARCHITECTURAL**

**DIVISION IDENTIFICATION SIGN AND DETAILS**

TA- XX BLDG XXXX

DRAWN: R. PEARSON  
 DESIGN: S. RICHARDSON  
 CHECKED: R. TROUT  
 DATE: 05/17/04

SUBMITTED: S. RICHARDSON APPROVED FOR RELEASE: T. ORUCH  
 STANDARDS MANAGER: T. ORUCH

Los Alamos NATIONAL LABORATORY P.O. Box 1663 Los Alamos, New Mexico 87545

D.C.: U REVIEWER: L. BAYS DATE: PROJECT ID DRAWING NO: CHAPTER 4 ST-G2040-4.3 REV 2

SHEET 3 OF 9

00% REVIEW NOT FOR CONSTRUCTION