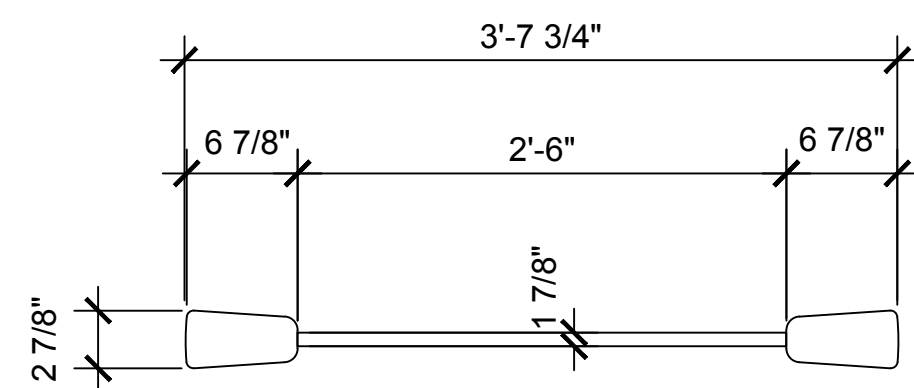
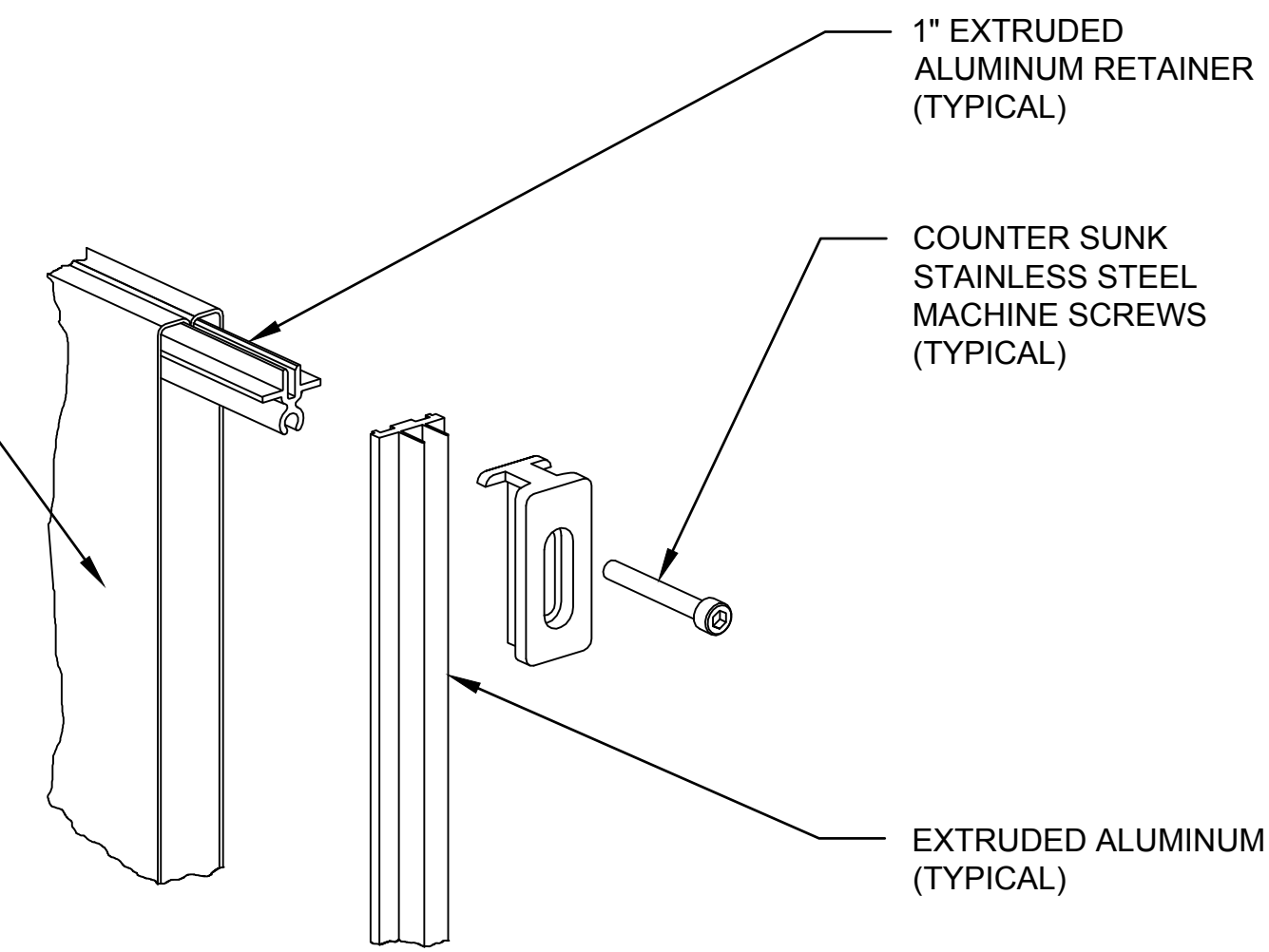


1 2 3 4 5 6



PLAN VIEW

.125" (1/8") ALUMINUM FACE WITH M.A.P. #30136 BRUSHED ALUMINUM SATIN GLOSS PAINT FINISH AND APPLIED VINYL GRAPHICS AND TEXT. NO EXPOSED FASTENERS ON SIGN FACE

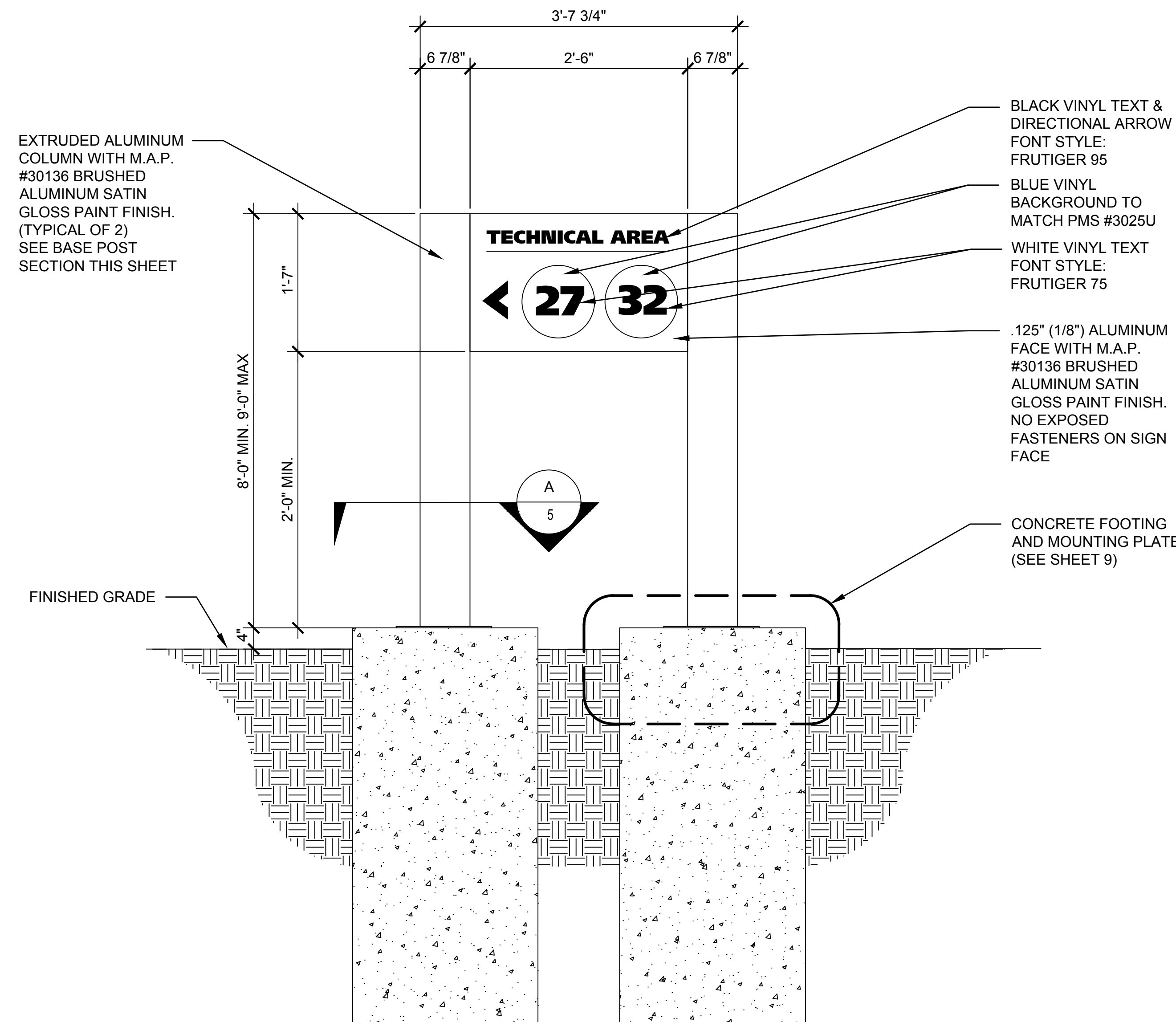


ISOMETRIC VIEW

NOTES FOR DESIGNER:

(DO NOT INCLUDE ON CONSTRUCTION DRAWINGS)

- COORDINATE WITH LANL MASTER SPECIFICATION 10 1405.
- EDIT THIS DRAWING TO REFLECT SPECIFIC PROJECT REQUIREMENTS.



FRONT VIEW

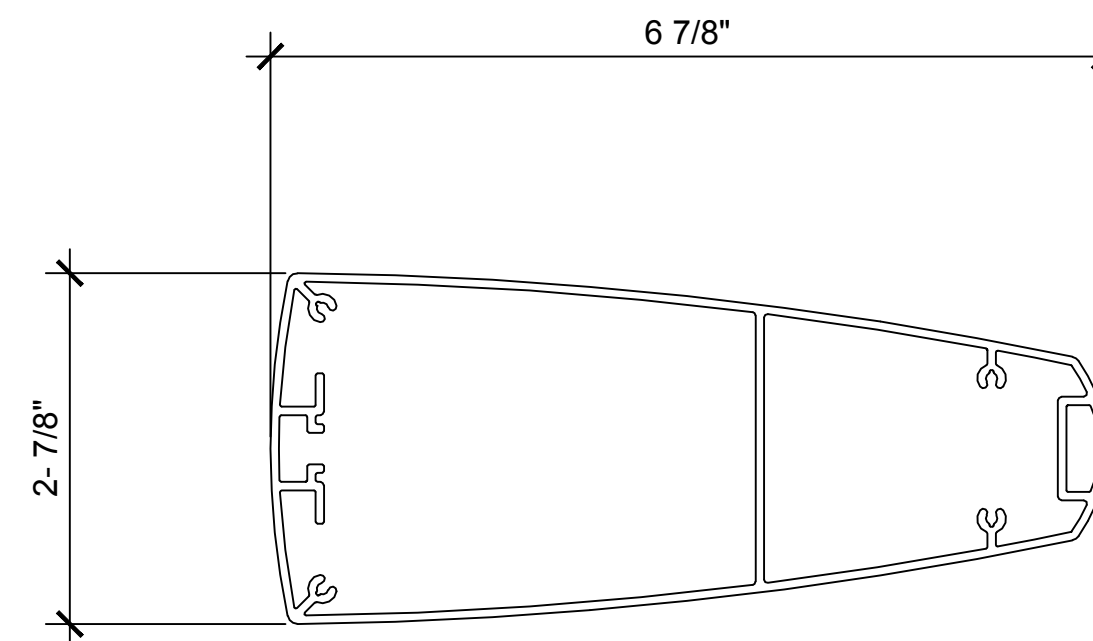
BLACK VINYL TEXT & DIRECTIONAL ARROW
FONT STYLE: FRUTIGER 95

BLUE VINYL BACKGROUND TO MATCH PMS #3025U

WHITE VINYL TEXT
FONT STYLE: FRUTIGER 75

.125" (1/8") ALUMINUM FACE WITH M.A.P. #30136 BRUSHED ALUMINUM SATIN GLOSS PAINT FINISH. NO EXPOSED FASTENERS ON SIGN FACE

CONCRETE FOOTING AND MOUNTING PLATE (SEE SHEET 9)



BASE POST SECTION

DRAWING DEVELOPED FOR ML-3/ML-4 PROJECTS. FOR ML-1/ML-2, ADDITIONAL REQUIREMENTS AND QA REVIEWS ARE REQUIRED. (REMOVE THIS NOTE WHEN INSERTED INTO A DRAWING PACKAGE)

NO	DATE	CLASS REV	DC	DESCRIPTION	DWN	DSGN	CHKD	SUB	APP
2	06/27/2016	UNCLASS	EJS	ADMIN. CHANGES TO NEW FORMAT CAD STD REV#5	EJS	N/A	SR	SR	TO
1	08/30/2012	U	EJS	REVISED FOOTING DETAIL	SR	SR	RT	DC	TO

ENGINEERING STANDARDS

ARCHITECTURAL		DRAWN	R. PEARSON
PEDESTRIAN DIRECTIONAL SIGN "B" AND DETAILS		DESIGN	S. RICHARDSON
		CHECKED	R. TROUT
		DATE	5-17-04
TA- XX BLDG XXXX			
SUBMITTED DISCIPLINE POC: S. RICHARDSON		APPROVED FOR RELEASE STANDARDS MANAGER: T. ORUCH	
Los Alamos NATIONAL LABORATORY		P0 Box 1663 Los Alamos, New Mexico 87545	
D.C.: U		REVIEWER: L. BAYS	DATE:
PROJECT ID	CHAPTER 4	DRAWING NO	REV 2
		ST-G2040-4.5	

PEDESTRIAN DIRECTIONAL SIGN "B"

SCALE: NONE

00% REVIEW
NOT FOR CONSTRUCTION