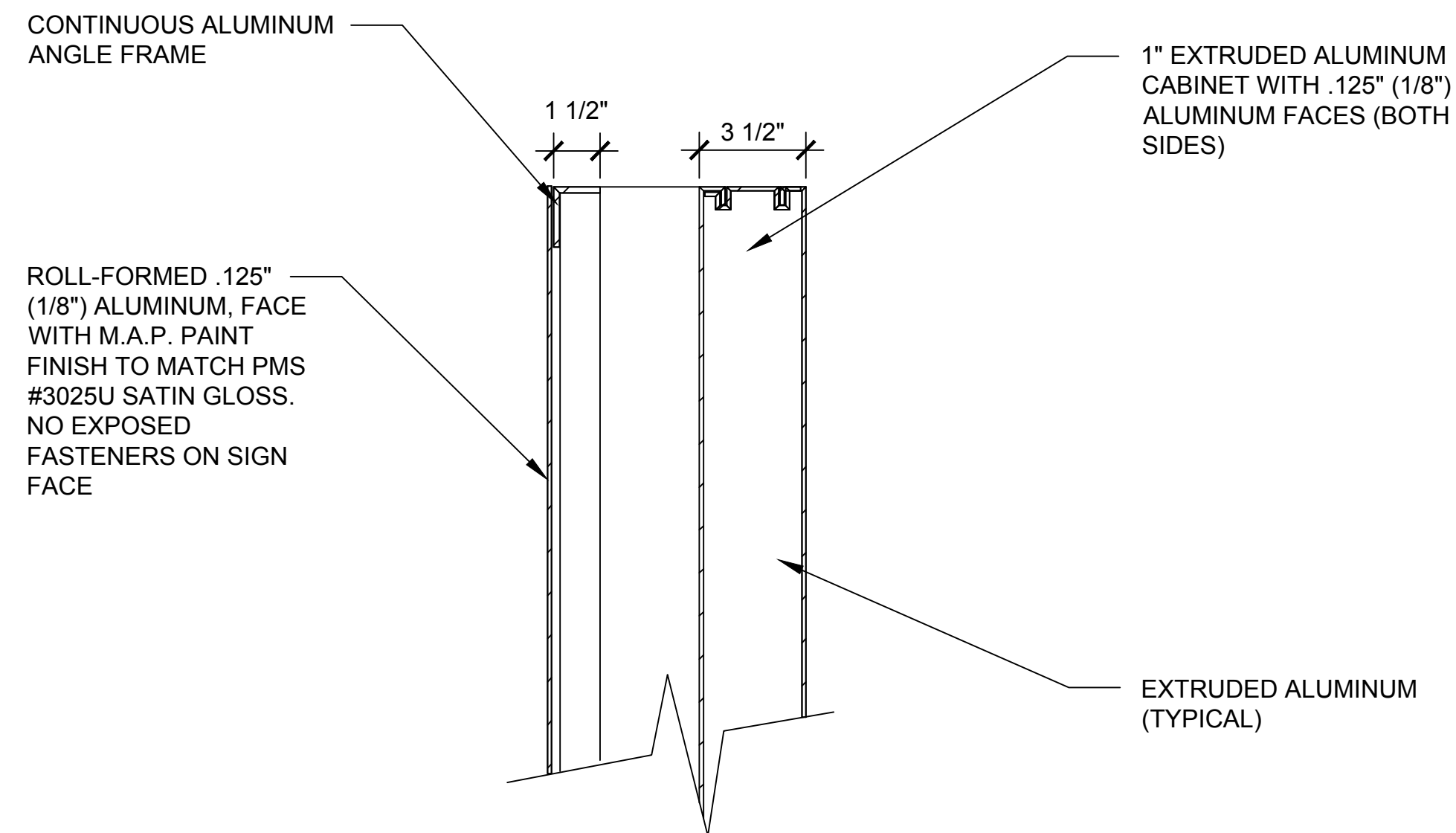


**PLAN VIEW**

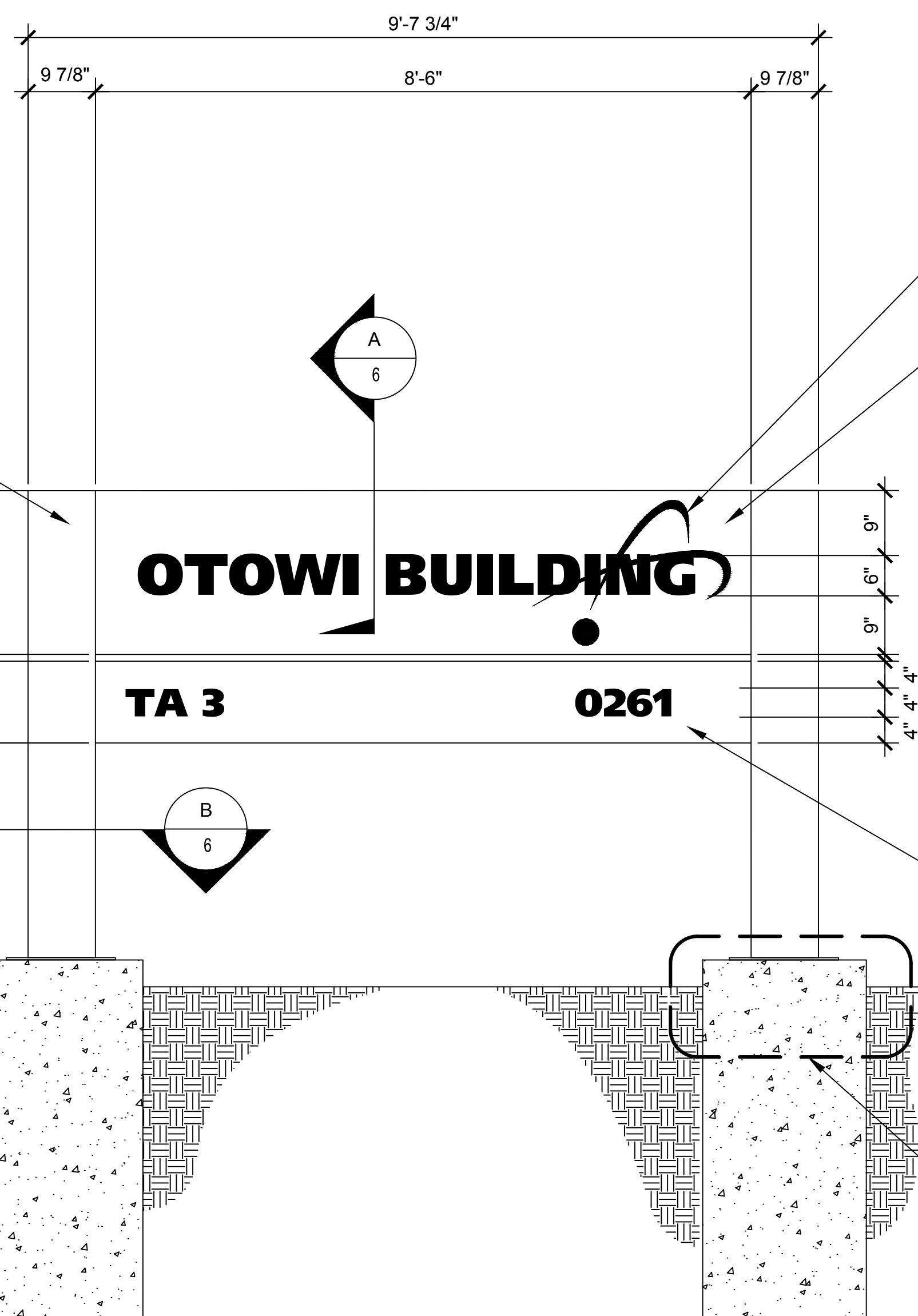


**SECTION DETAIL**

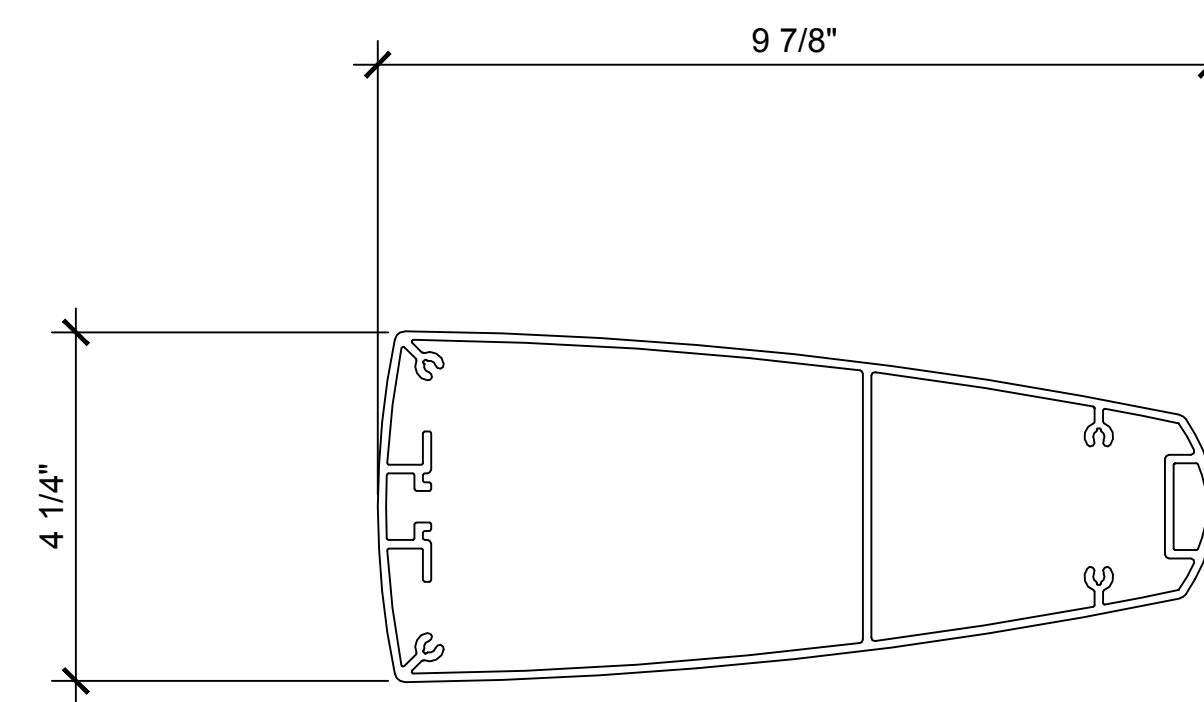
**NOTES FOR DESIGNER:**

(DO NOT INCLUDE ON CONSTRUCTION DRAWINGS)

- COORDINATE WITH LANL MASTER SPECIFICATION 10 1405.
- EDIT THIS DRAWING TO REFLECT SPECIFIC PROJECT REQUIREMENTS.



**FRONT VIEW**



**BASE POST SECTION**

DRAWING DEVELOPED FOR ML-3/ML-4 PROJECTS. FOR ML-1/ML-2, ADDITIONAL REQUIREMENTS AND QA REVIEWS ARE REQUIRED. (REMOVE THIS NOTE WHEN INSERTED INTO A DRAWING PACKAGE)

EXTRUDED ALUMINUM COLUMN WITH M.A.P. #30136 BRUSHED ALUMINUM SATIN GLOSS PAINT FINISH. (TYPICAL OF 2) SEE BASE POST SECTION THIS SHEET

OPTIONAL PANEL WHEN REQUIRED. .125 (1/8") ALUMINUM FACE WITH M.A.P. #30136 BRUSHED ALUMINUM SATIN GLOSS PAINT FINISH AND APPLIED BLACK VINYL TEXT

**FREESTANDING BUILDING IDENTIFICATION SIGN**

SCALE: NONE

NO	DATE	CLASS REV	DC	DESCRIPTION	DWN	DSGN	CHKD	SUB	APP
2	06/27/2016	UNCLASS	EJS	ADMIN. CHANGES TO NEW FORMAT CAD STD REV#5	EJS	N/A	SR	SR	TO
1	08/30/2012	U	EJS	REVISED FOOTING DETAIL	SR	SR	RT	DC	TO

**ENGINEERING STANDARDS**

**ARCHITECTURAL**

DRAWN	R. PEARSON
DESIGN	S. RICHARDSON
CHECKED	R. TROUT
DATE	5-17-04

TA- XX BLDG XXXX

SUBMITTED DISCIPLINE POC: S. RICHARDSON APPROVED FOR RELEASE STANDARDS MANAGER: T. ORUCH

**6**

**6** OF **9**

D.C.: U PROJECT ID **CHAPTER 4** REVIEWER: L. BAYS DRAWING NO **ST-G2040-4.6** DATE: REV **2**

00% REVIEW  
NOT FOR CONSTRUCTION