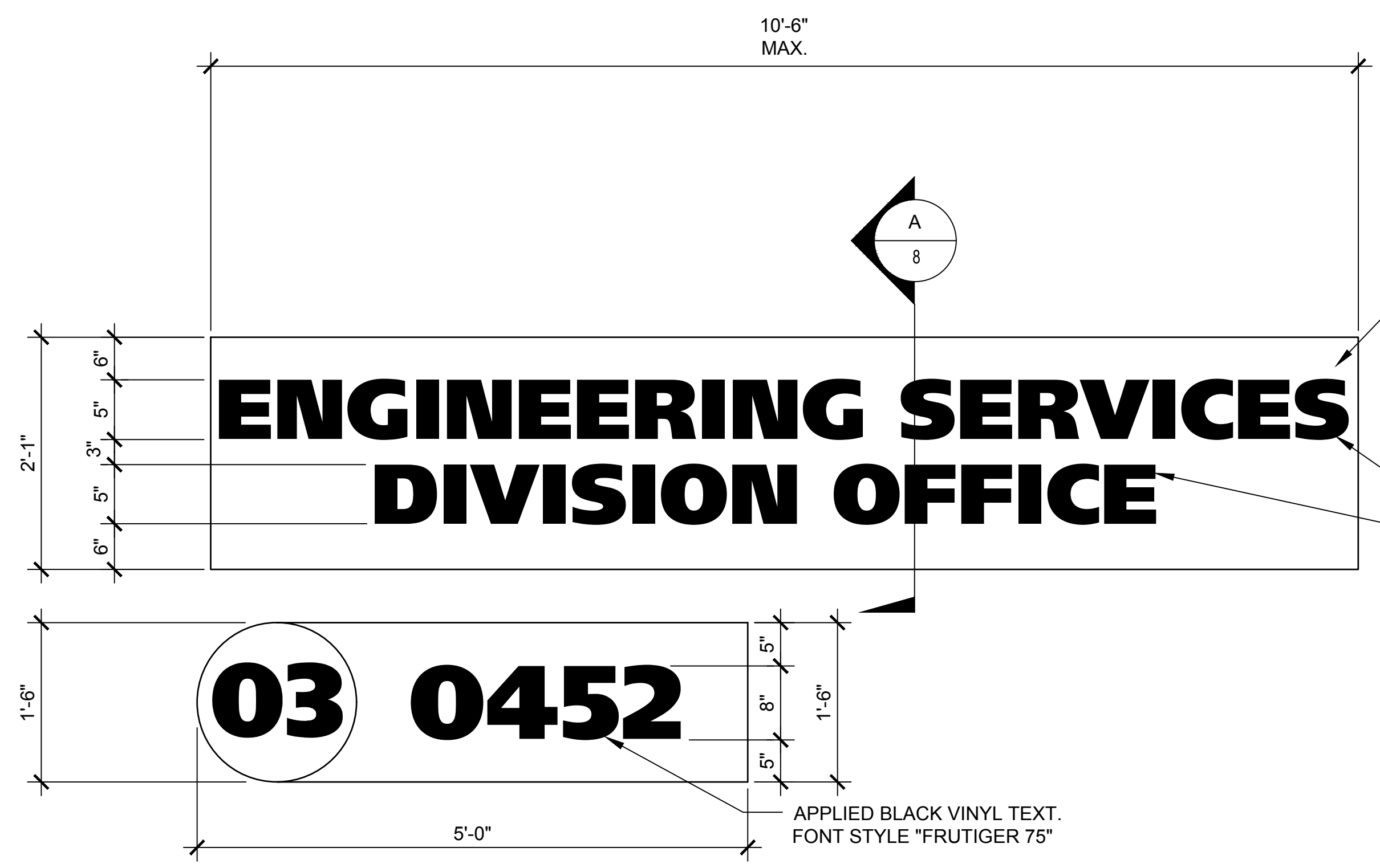
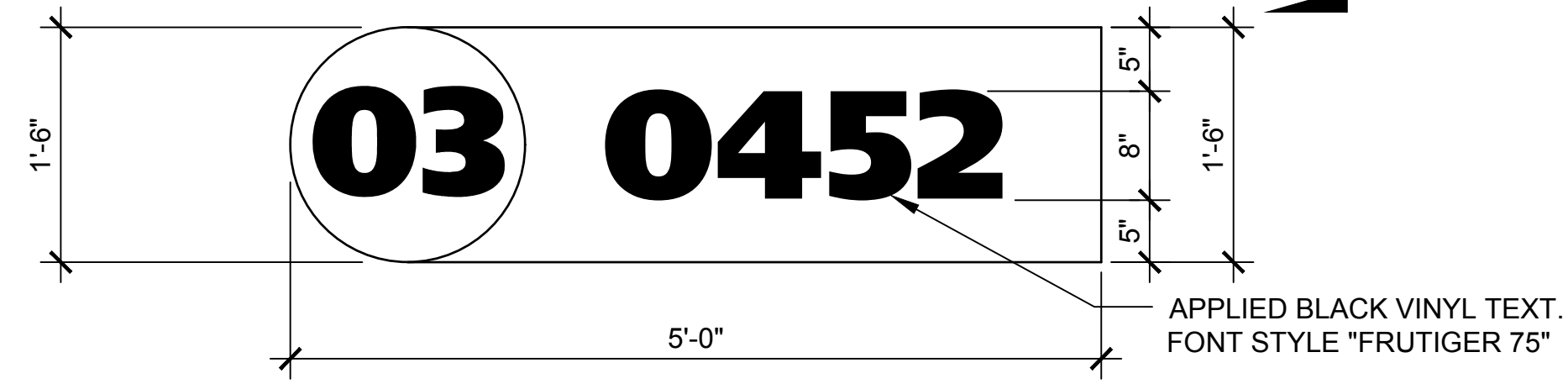


D  
C  
B  
A

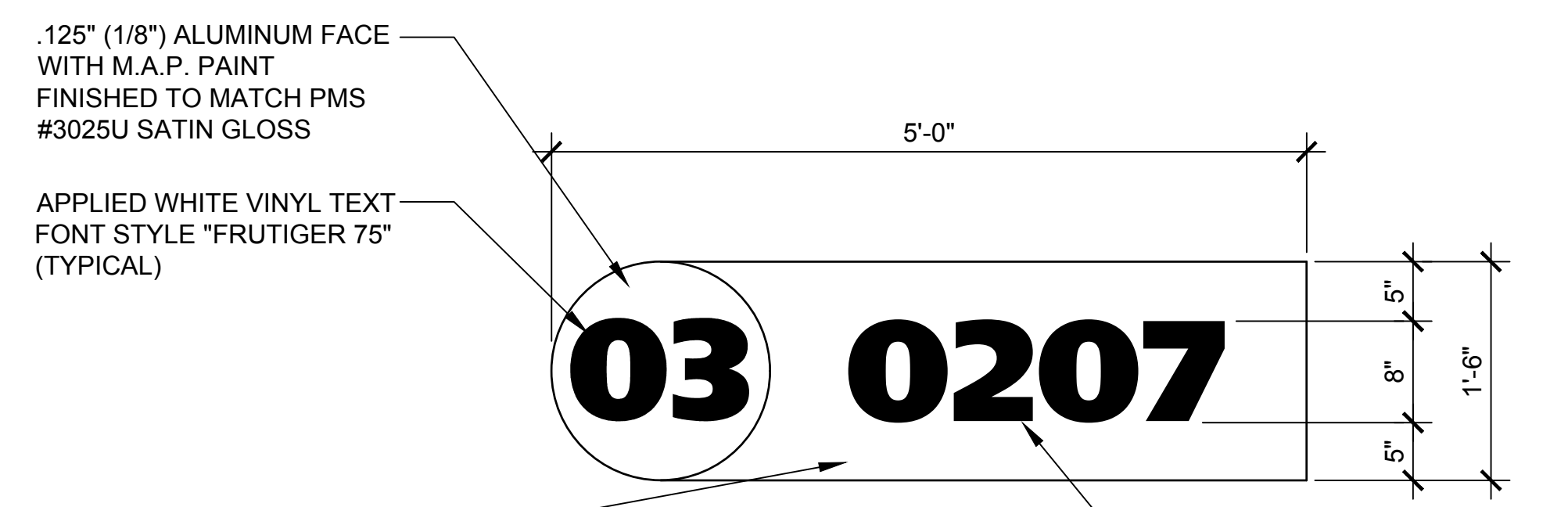


.125" (1/8") ALUMINUM FACE  
WITH CONTINUOUS  
ALUMINUM ANGLE FRAME,  
M.A.P. #30136 BRUSHED  
ALUMINUM SATIN GLOSS  
PAINT FINISH

APPLIED BLACK VINYL TEXT.  
FONT STYLE "FRUTIGER 75"



**ALTERNATE ON-BUILDING IDENTIFICATION SIGN**



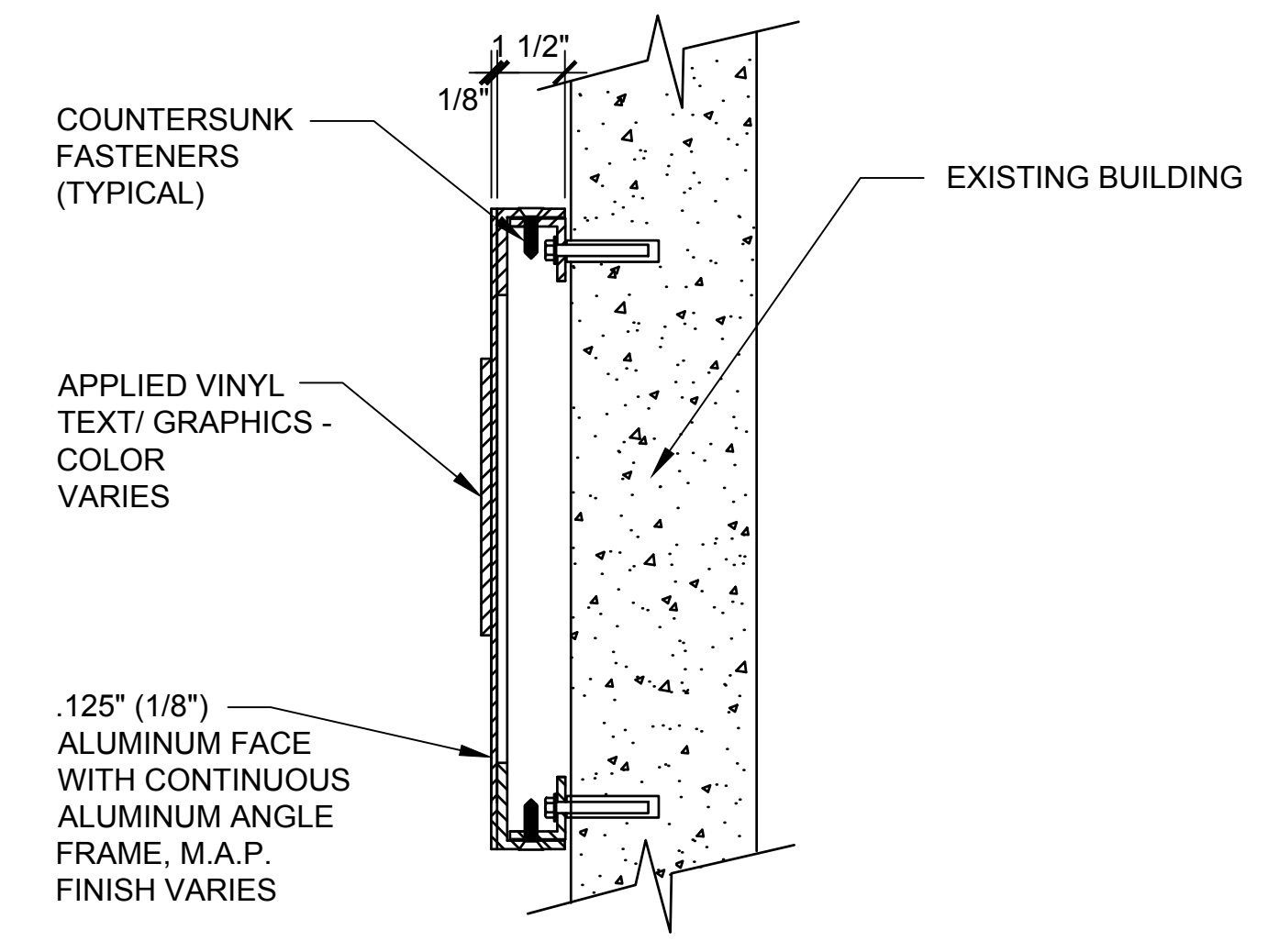
.125" (1/8") ALUMINUM FACE  
WITH M.A.P. PAINT  
FINISHED TO MATCH PMS  
#3025U SATIN GLOSS

APPLIED WHITE VINYL TEXT  
FONT STYLE "FRUTIGER 75"  
(TYPICAL)

.125" (1/8") ALUMINUM FACE  
WITH M.A.P. #30136  
BRUSHED ALUMINUM  
SATIN GLOSS PAINT FINISH

APPLIED BLACK VINYL TEXT.  
FONT STYLE "FRUTIGER 75"

**ON-BUILDING IDENTIFICATION SIGN**



**SECTION DETAIL**

**NOTES FOR DESIGNER:**

( DO NOT INCLUDE ON CONSTRUCTION DRAWINGS)

- COORDINATE WITH LANL MASTER SPECIFICATION 10 1405.
- EDIT THIS DRAWING TO REFLECT SPECIFIC PROJECT REQUIREMENTS.

DRAWING DEVELOPED FOR ML-3/ML-4 PROJECTS.  
FOR ML-1/ML-2, ADDITIONAL REQUIREMENTS AND  
QA REVIEWS ARE REQUIRED. (REMOVE THIS NOTE  
WHEN INSERTED INTO A DRAWING PACKAGE)

**BUILDING IDENTIFICATION PLAQUES**

SCALE: NONE

NO	DATE	CLASS REV	DC	DESCRIPTION	DWN	DSGN	CHKD	SUB	APP
2	06/27/2016	UNCLASS	EJS	ADMIN. CHANGES TO NEW FORMAT CAD STD REV#5	EJS	N/A	SR	SR	TO
1	08/30/2012	U	EJS	REVISED NOTES TO DESIGNER	SR	SR	RT	DC	TO

**ENGINEERING STANDARDS**

**ARCHITECTURAL**

**BUILDING IDENTIFICATION PLAQUES  
AND DETAIL**

DRAWN	R. PEARSON
DESIGN	S. RICHARDSON
CHECKED	R. TROUT
DATE	5-17-04

TA- XX BLDG XXXX

SUBMITTED DISCIPLINE POC: S. RICHARDSON APPROVED FOR RELEASE STANDARDS MANAGER: T. ORUCH

SHEET **8**

**8** OF **9**

D.C.: U PROJECT ID **CHAPTER 4** REVIEWER: L. BAYS DRAWING NO **ST-G2040-4.8** DATE: REV **2**

00% REVIEW  
NOT FOR CONSTRUCTION