

1

2

3

4

5

6

D

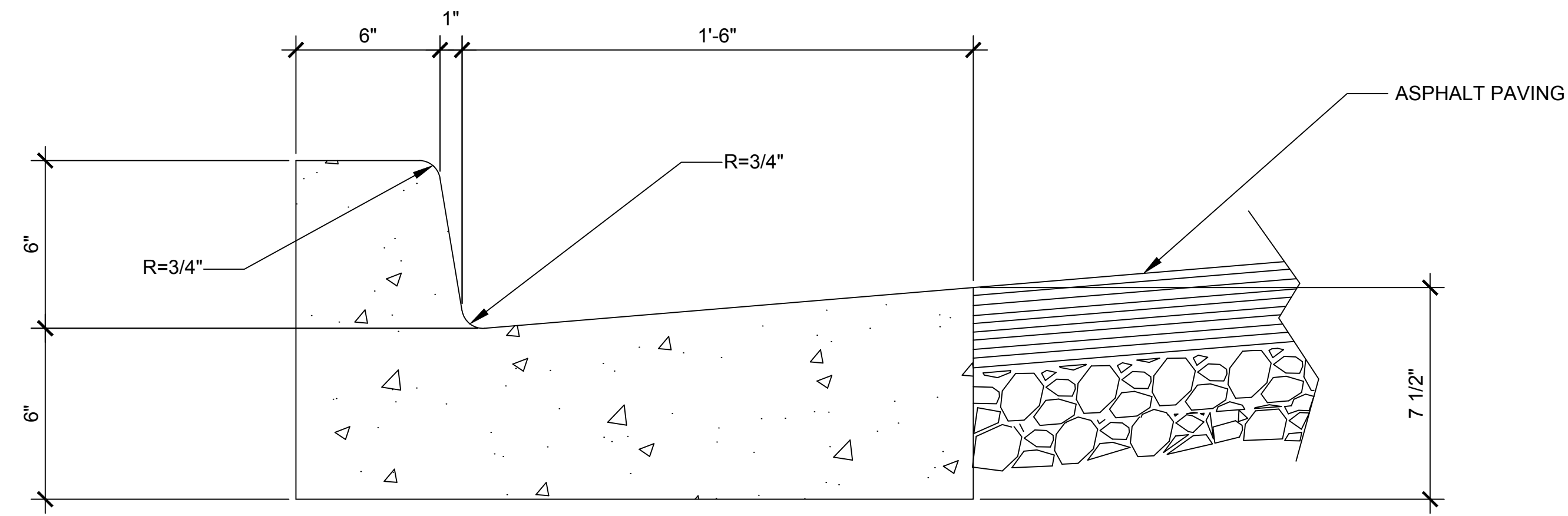
C

B

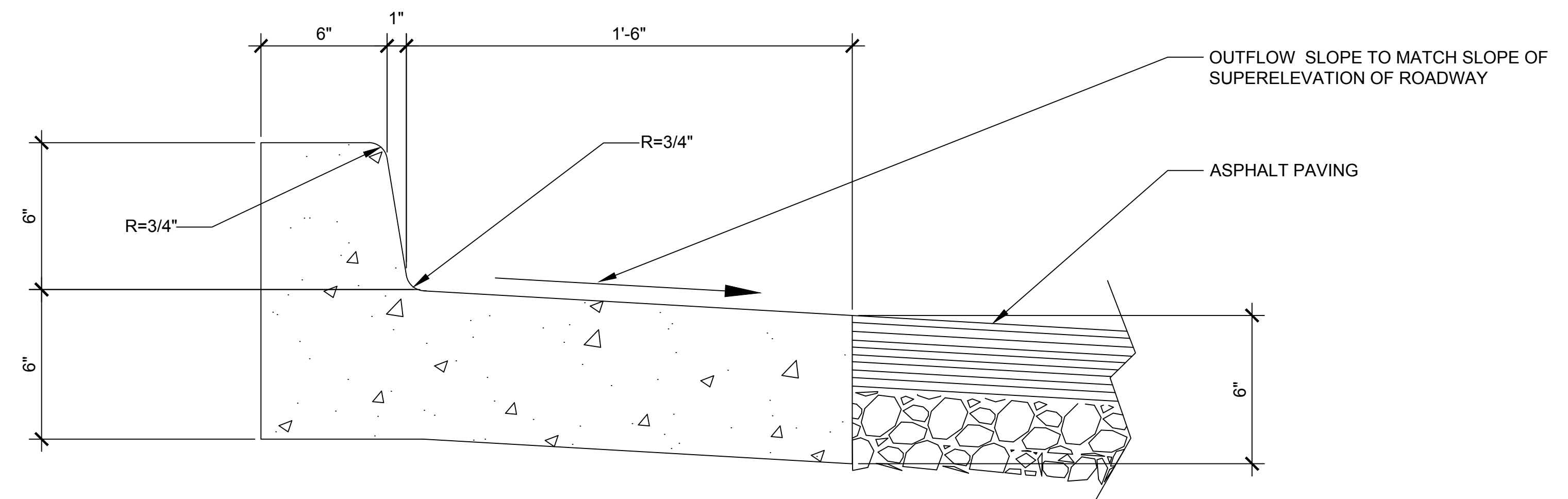
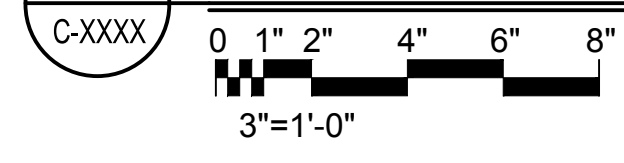
A

**GENERAL NOTES:**

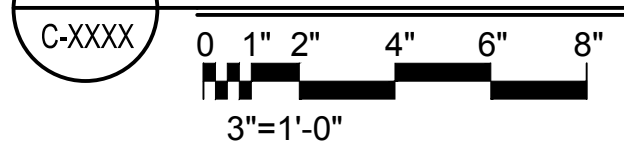
1. IF THIS SHEET IS NOT 24"X36" USE GRAPHIC SCALE ACCORDINGLY.



**STANDARD INFLOW DETAIL**



**STANDARD REVERSE OUTFLOW DETAIL**



DRAWING DEVELOPED FOR ML-3/ML-4 PROJECTS. FOR ML-1/ML-2, ADDITIONAL REQUIREMENTS AND QA REVIEWS ARE REQUIRED. (REMOVE THIS NOTE WHEN INSERTED INTO A DRAWING PACKAGE)

**NOTES FOR DESIGNER:** (DO NOT INCLUDE ON CONSTRUCTION DRAWINGS)

1. WHEN EDITING DETAIL TO SUIT PROJECT, ADD JOB SPECIFIC REQUIREMENTS AND DELETE ONLY THOSE PORTIONS THAT DO NOT APPLY. TO SEEK A VARIANCE FROM APPLICABLE REQUIREMENTS, CONTACT THE ESM CIVIL POC.
2. REVERSE OUTFLOW GUTTER SHALL BE INSTALLED FOR ROADWAYS INCORPORATING SUPERELEVATION. SLOPE OF GUTTER TO MATCH SUPERELEVATION SLOPE TO AVOID TRAPPING WATER.
3. FOR ADDITIONAL REQUIREMENTS REFER TO THE ESM CIVIL CHAPTER AND NEW MEXICO DOT STANDARD DRAWINGS, SECTION 609.

NO	DATE	CLASS REV	DC	DESCRIPTION	DWN	DSGN	CHKD	SUB	APP
3	08/04/2016	UNCLASS	EJS	ADMIN. CHANGES TO NEW FORMAT CAD STD REV#5. MINOR DESIGN CHANGES	EJS	MS	MS	CJRR	TO
2	1-28-14	U		GENERAL REVISION	KT	MS	JG	RT	TO
1	2-12-07	U	TO	REVISED DESIGNER NOTE 3	RP	MS	RT	JH	TO

**ENGINEERING STANDARDS**

**CIVIL**

**ROADWAYS CURB AND GUTTER**

TA- XX BLDG XXXX

DRAWN: R.PEARSON  
DESIGN: C.TRASK  
CHECKED: C.ROMERO  
DATE: 8-18-04

SUBMITTED DISCIPLINE POC: EDWARD HOTH APPROVED FOR RELEASE STANDARDS MANAGER: TOBIN ORUCH

Los Alamos NATIONAL LABORATORY P0 Box 1663 Los Alamos, New Mexico 87545

D.C.: UNCLASSIFIED REVIEWER: LARRY BAYS DATE: PROJECT ID DRAWING NO: CHAPTER 3 ST-G2010-2 REV 3

SHEET 1 OF 1

00% REVIEW NOT FOR CONSTRUCTION