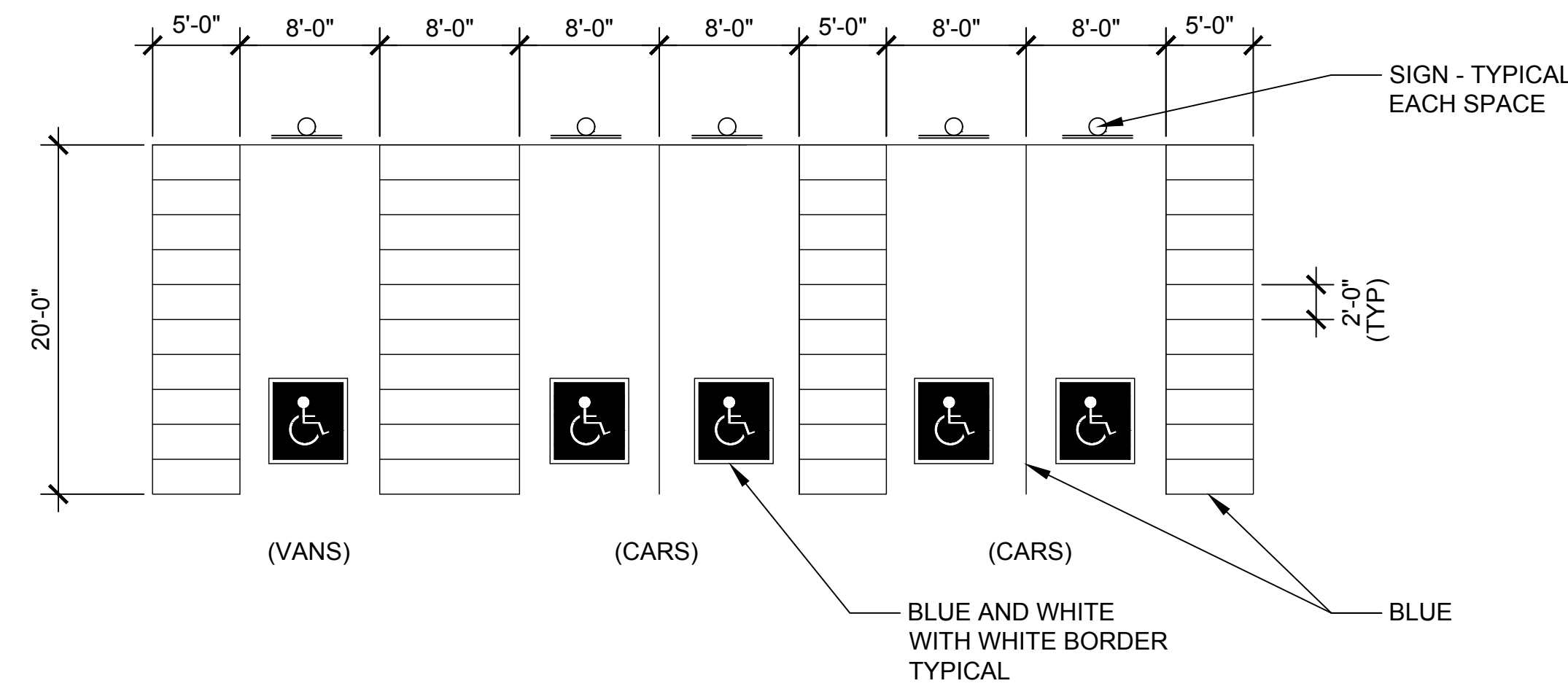
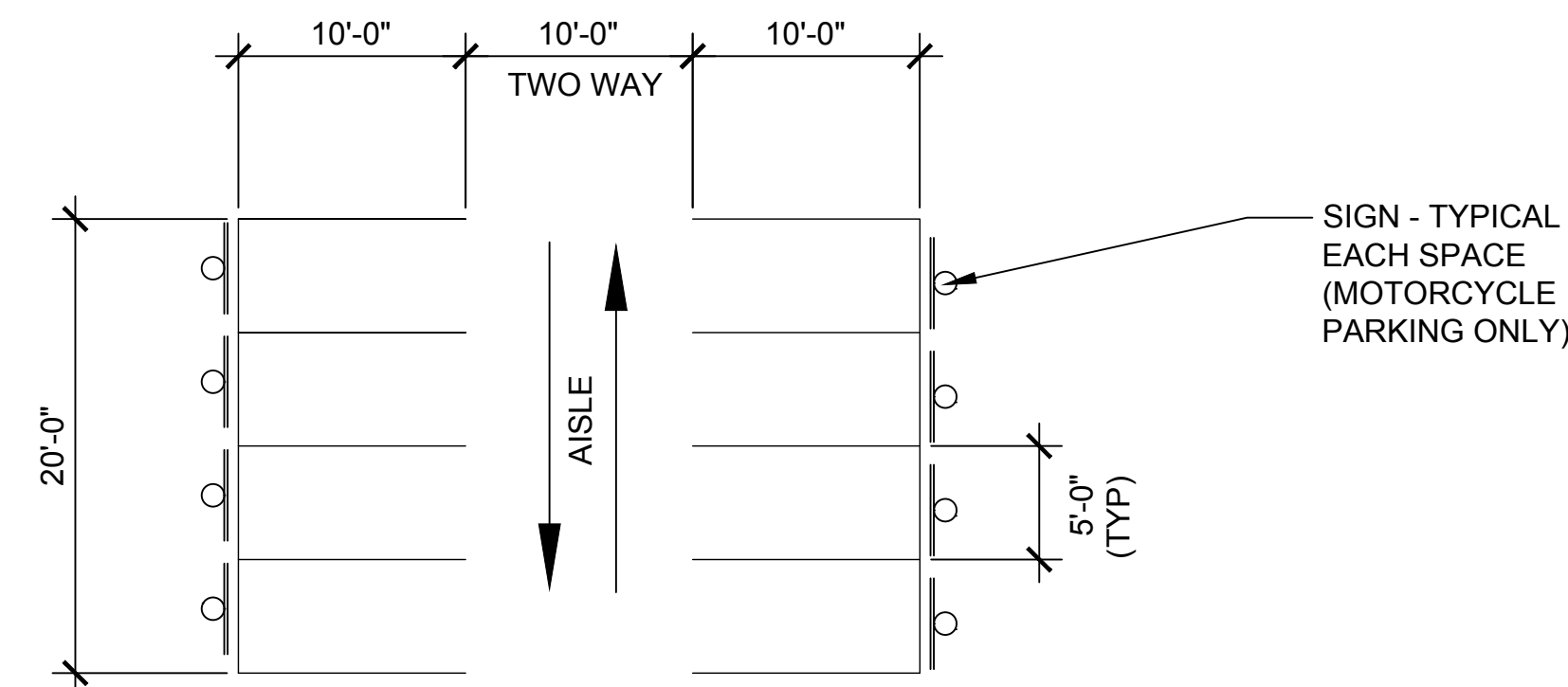


GENERAL NOTES:

1. IF THIS SHEET IS NOT 24"x36" USE GRAPHIC SCALE ACCORDINGLY.



ACCESSIBLE PARKING LAYOUT
 X
 C-XXXX
 4' 2' 0 4' 8' 12'
 1/8"=1'-0"



MOTORCYCLE PARKING LAYOUT
 X
 C-XXXX
 4' 2' 0 4' 8' 12'
 1/8"=1'-0"

NOTES FOR DESIGNER: (DO NOT INCLUDE ON CONSTRUCTION DRAWINGS)

1. WHEN EDITING DETAIL TO SUIT PROJECT, ADD JOB SPECIFIC REQUIREMENTS AND DELETE ONLY THOSE PORTIONS THAT DO NOT APPLY. TO SEEK A VARIANCE FROM APPLICABLE REQUIREMENTS, CONTACT THE ESM CIVIL POC
2. PARKING BUMPERS AND WHEEL STOPS ARE DISCOURAGED WHERE POSSIBLE DUE TO SNOW REMOVAL
3. INSTALL ALL PAVEMENT MARKINGS, SIGN, AND /OR OTHER TRAFFIC CONTROL DEVICES PER MANUAL ON UNIFORM TRAFFIC CONTROL DEVICES, LATEST EDITION
4. FOR ADDITIONAL REQUIREMENTS REFER TO THE ESM CIVIL CHAPTER

DRAWING DEVELOPED FOR ML-3/ML-4 PROJECTS. FOR ML-1/ML-2, ADDITIONAL REQUIREMENTS AND QA REVIEWS ARE REQUIRED. (REMOVE THIS NOTE WHEN INSERTED INTO A DRAWING PACKAGE)

NO	DATE	CLASS REV	DC	DESCRIPTION	DWN	DSGN	CHKD	SUB	APP
3	08/04/2016	UNCLASS	EJS	ADMIN CHANGES TO NEW FORMAT CAD STD REV#5. MINOR DESIGN CHANGES	EJS	MS	MS	CJRR	TO
2	1-28-14	U		GENERAL REVISION / CORRECTED NOTE	KT	MS	JG	RT	TO
1	2-12-07	U	TO	ADDED GEN NOTES 2-4, SIGN TYPICAL EACH SPACE & MOTORCYCLE PARKING	RP	MS	RT	JH	TO

ENGINEERING STANDARDS

CIVIL		DRAWN	R.PEARSON
		DESIGN	C.TRASK
PARKING LOTS ACCESSIBLE & MOTORCYCLE		CHECKED	C.ROMERO
		DATE	8-18-04
TA- XX	BLDG XXXX	SHEET 2	
SUBMITTED DISCIPLINE POC: EDWARD HOTH		APPROVED FOR RELEASE STANDARDS MANAGER: TOBIN ORUCH	
Los Alamos NATIONAL LABORATORY		P0 Box 1663 Los Alamos, New Mexico 87545	
D.C.: U	REVIEWER: LARRY BAYS	DATE:	REV 3
PROJECT ID	DRAWING NO	ST-G2020-1.2	
CHAPTER 3			

00% REVIEW
 NOT FOR CONSTRUCTION

D
 C
 B
 A