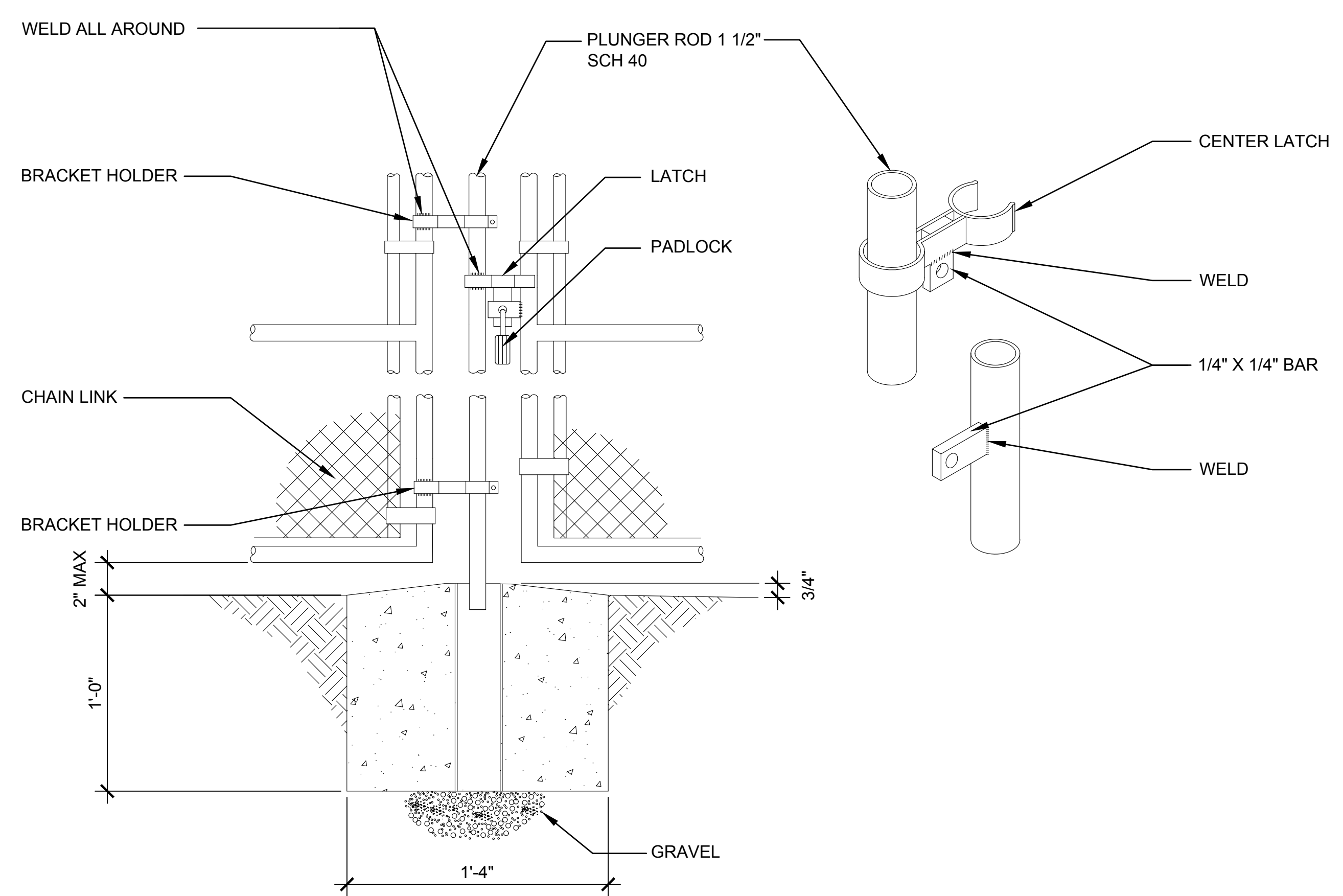
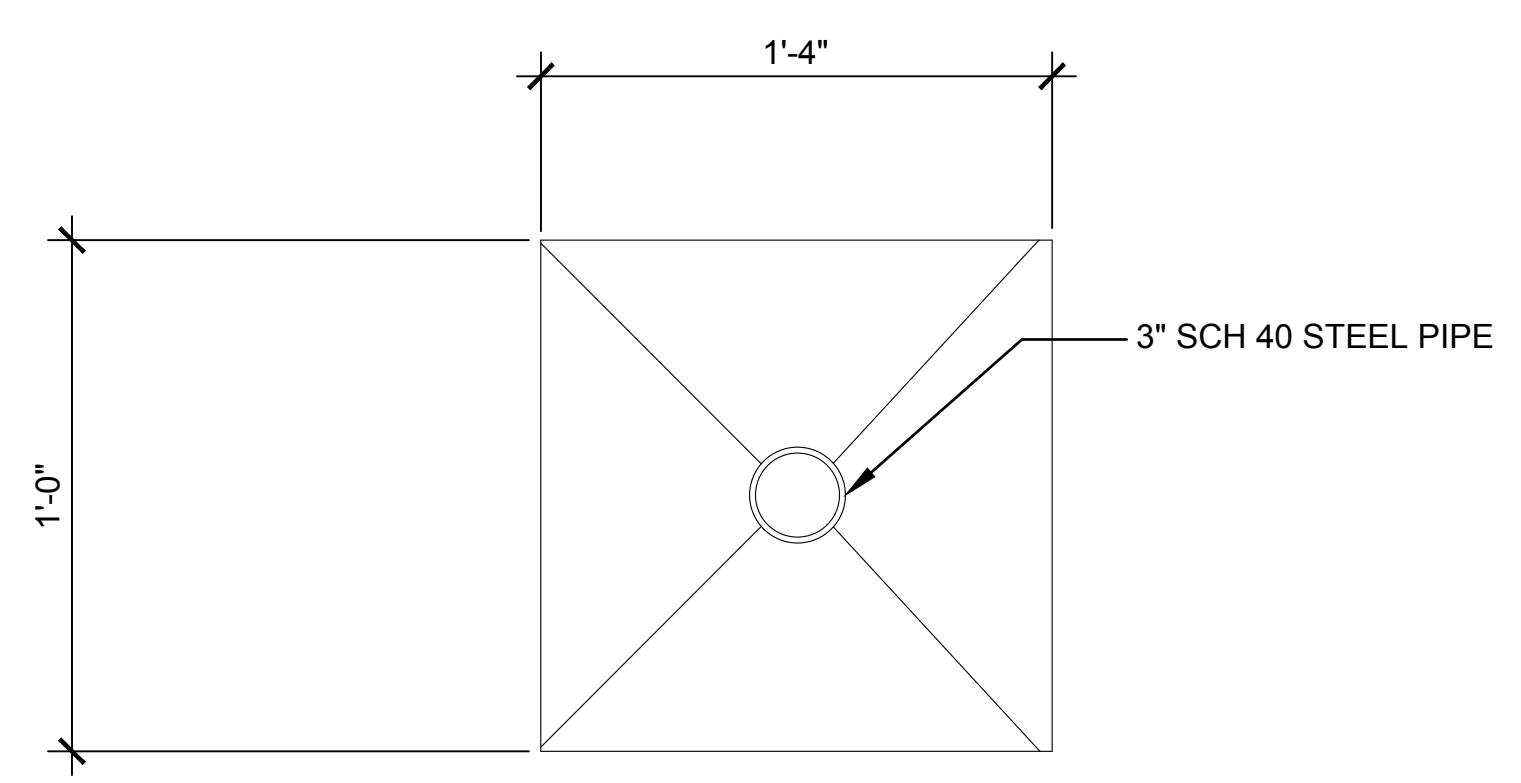


D
C
B
A



GENERAL NOTES:
 1. IF THIS SHEET IS NOT 24"X36" USE GRAPHIC SCALE ACCORDINGLY.



X
C-XXXX **GATE LATCHING DETAIL**
 SCALE: NONE

- NOTES FOR DESIGNER:** (DO NOT INCLUDE ON CONSTRUCTION DRAWINGS)
1. EDIT THE GATE DETAIL IN CONSULTATION WITH LANL PHYSICAL SECURITY TEAM TO SUIT PROJECT, FIELD CONDITIONS, BARBED WIRE OR BARBED TAPE, AND NUMBER OF BARBED WIRE STRANDS.
 2. REFER TO LANL MASTER SPECIFICATION 32 3113, CHAIN LINK FENCES AND GATES, FOR ADDITIONAL FENCE HEIGHT, FABRIC GAGE, WIRE TIES, AND FENCE TOPPING REQUIREMENTS.
 3. SECURITY FENCE (FABRIC) HEIGHT SHALL BE DETERMINED BY LANL PHYSICAL SECURITY TO REFLECT IF THE PROJECT IS FOR PROTECTING A LIMITED AREA OR HIGH SECURITY AREA.
 4. DESIGNS FOR HEIGHTS EXCEEDING 16 FEET SHALL BE REVIEWED BY A STRUCTURAL ENGINEER.

DRAWING DEVELOPED FOR ML-3/ML-4 PROJECTS. FOR ML-1/ML-2, ADDITIONAL REQUIREMENTS AND QA REVIEWS ARE REQUIRED. (REMOVE THIS NOTE WHEN INSERTED INTO A DRAWING PACKAGE)

NO	DATE	CLASS REV	DC	DESCRIPTION	DWN	DSGN	CHKD	SUB	APP
4	08/18/2016	UNCLASS	EJS	ADMIN CHANGES TO NEW FORMAT CAD STD REV#5. MINOR DESIGN CHANGES	EJS	MS	MS	CJRR	TO
3	01/28/14	U		GENERAL REVISION	KT	MS	JG	RT	TO
2	02/22/2005	U	DY	REVISED TO COMPLY WITH DRAFTING MANUAL DWG # WAS ST3831. REVISED ADTS - ENGINEERING LOGO	RP	EH	JS	EH	TO
1	04/11/2001	U	TO	SHEET 4 OF 9 WAS 4 OF 14. REVISED PLUNGER ROD STOP	RP	EH	CS	JC	TO

ENGINEERING STANDARDS

CIVIL

SECURITY FENCE GATE LATCHING

TA- XX BLDG XXXX

DRAWN: R. PEARSON
 DESIGN: E. HOTH
 CHECKED: C. SANCHEZ
 DATE: 8-18-04

SUBMITTED DISCIPLINE POC: EDWARD HOTH APPROVED FOR RELEASE STANDARDS MANAGER: TOBIN ORUCH

SHEET **4** OF **9**

D.C.: UNCLASSIFIED REVIEWER: LARRY BAYS DATE: PROJECT ID DRAWING NO: **CHAPTER 3 ST-G2040-1.4** REV **4**

00% REVIEW
 NOT FOR CONSTRUCTION