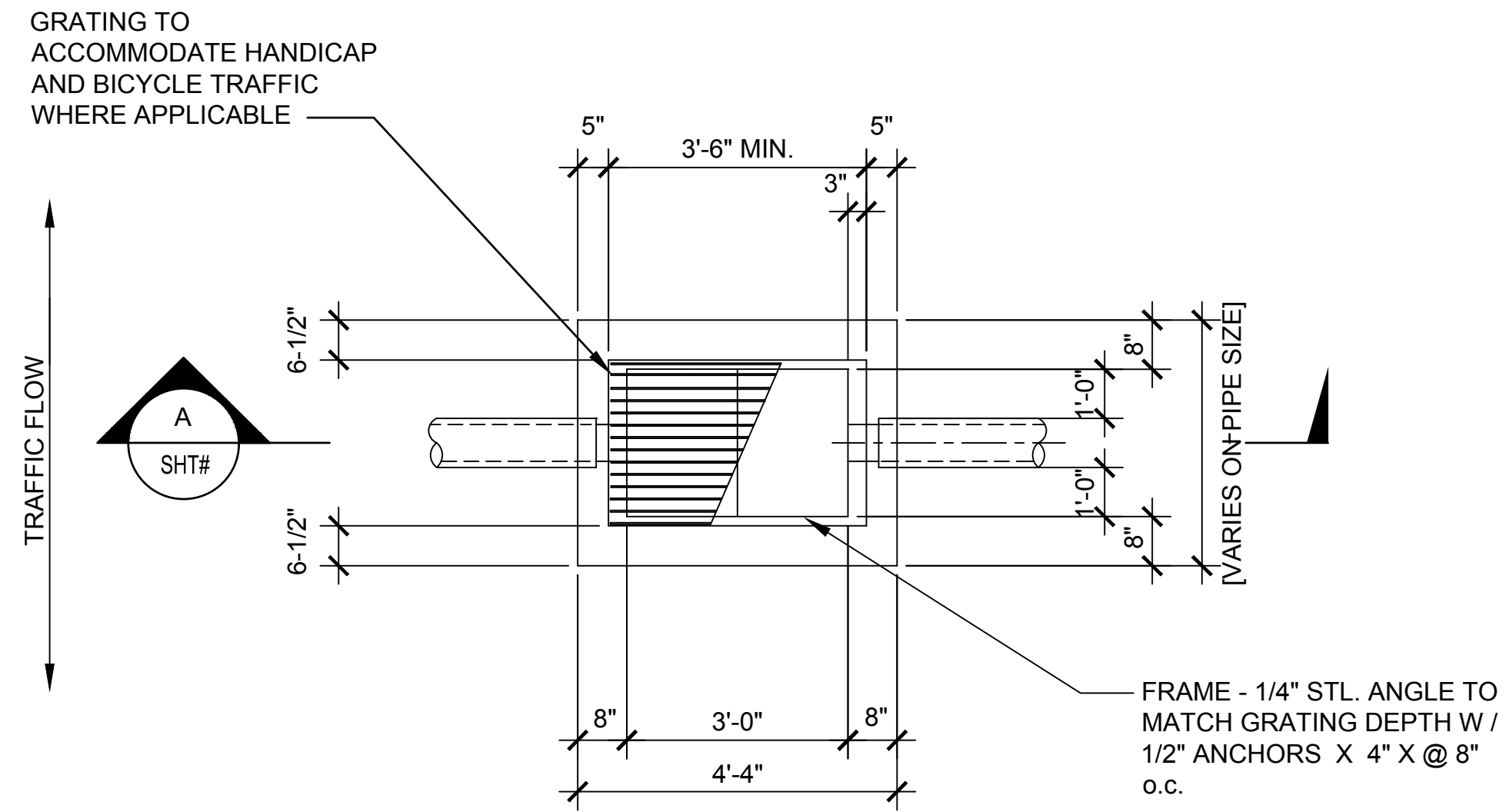
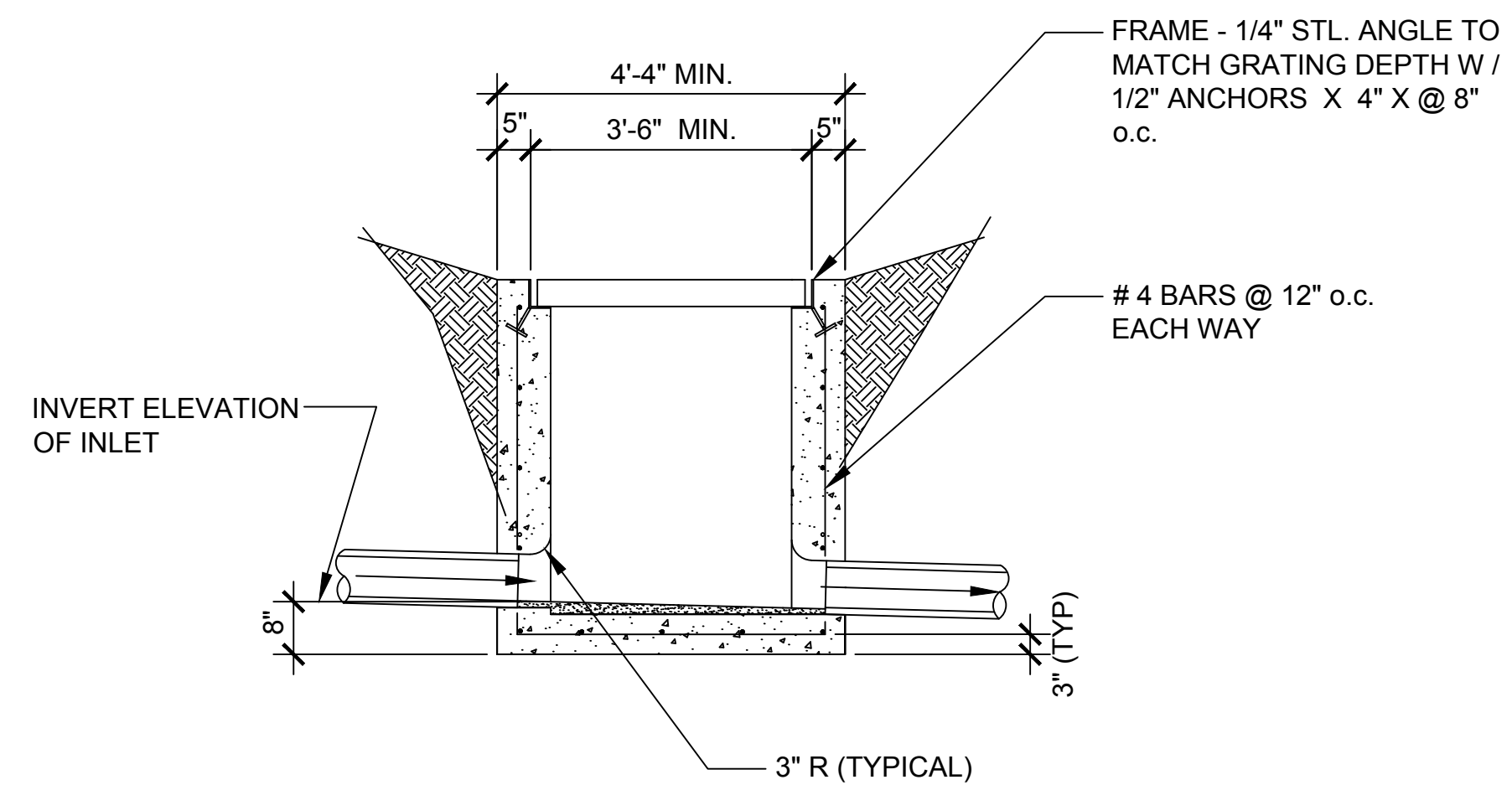


GENERAL NOTES:

1. IF THIS SHEET IS NOT 24" X 36" USE GRAPHIC SCALE ACCORDINGLY.
2. COMPONENTS TO MEET ASTM C478, STANDARD SPECIFICATION FOR REINFORCED CONCRETE MANHOLE SECTIONS.
3. CONCRETE: f'c = 3000 psi @28 DAYS.

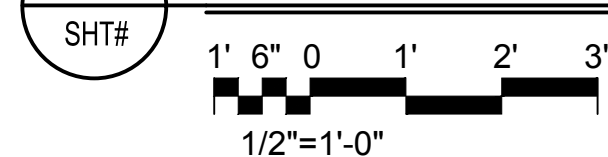


PLAN VIEW



SECTION

CONCRETE CATCH BASIN DETAIL



NOTES FOR DESIGNER: (DO NOT INCLUDE ON CONSTRUCTION DRAWINGS)

1. WHEN EDITING DETAIL TO SUIT PROJECT, ADD JOB SPECIFIC REQUIREMENTS AND DELETE ONLY THOSE PORTIONS THAT DO NOT APPLY. TO SEEK A VARIANCE FROM APPLICABLE REQUIREMENTS, CONTACT THE ESM CIVIL POC.
2. REFER TO THE FOLLOWING FOR ADDITIONAL REQUIREMENTS:
 - 2.1. LANL ENGINEERING MANUAL, CIVIL CHAPTER.
 - 2.2. LANL MASTER SPECIFICATION 33 4000, STORM DRAINAGE UTILITIES.

DRAWING DEVELOPED FOR ML-3/ML-4 PROJECTS. FOR ML-1/ML-2, ADDITIONAL REQUIREMENTS AND QA REVIEWS ARE REQUIRED. (REMOVE THIS NOTE WHEN INSERTED INTO A DRAWING PACKAGE)

2	09/15/2016	UNCLASS	EJS	ADMIN. CHANGES TO NEW FORMAT CAD STD REV#5. MINOR DESIGN CHANGES AND INCORPORATED NOTES FROM SHEET 2 OF 2.	EJS	MS	MS	CJRR	TO
1	08/23/2002	U		GENERAL REVISION & DWG. NO. WAS ST3721	RP	EH	MS	EH	TO
NO	DATE	CLASS REV	DC	DESCRIPTION	DWN	DSGN	CHKD	SUB	APP

ENGINEERING STANDARDS

CIVIL				DRAWN	R. PEARSON
CONCRETE CATCH BASIN DETAIL STORM WATER				DESIGN	E. HOTH
				CHECKED	M. SMITHOUR
TA- XX BLDG XXXX				DATE	6-28-99
SUBMITTED DISCIPLINE POC: E. HOTH			APPROVED FOR RELEASE STANDARDS MANAGER: TOBIN ORUCH		
				SHEET 1	
P0 Box 1663 Los Alamos, New Mexico 87545				1 OF 1	
D.C.: U		REVIEWER: LARRY BAYS		DATE:	
PROJECT ID		DRAWING NO		REV	
CHAPTER 3		ST-G3030-1		2	

00% REVIEW
NOT FOR CONSTRUCTION

D
C
B
A