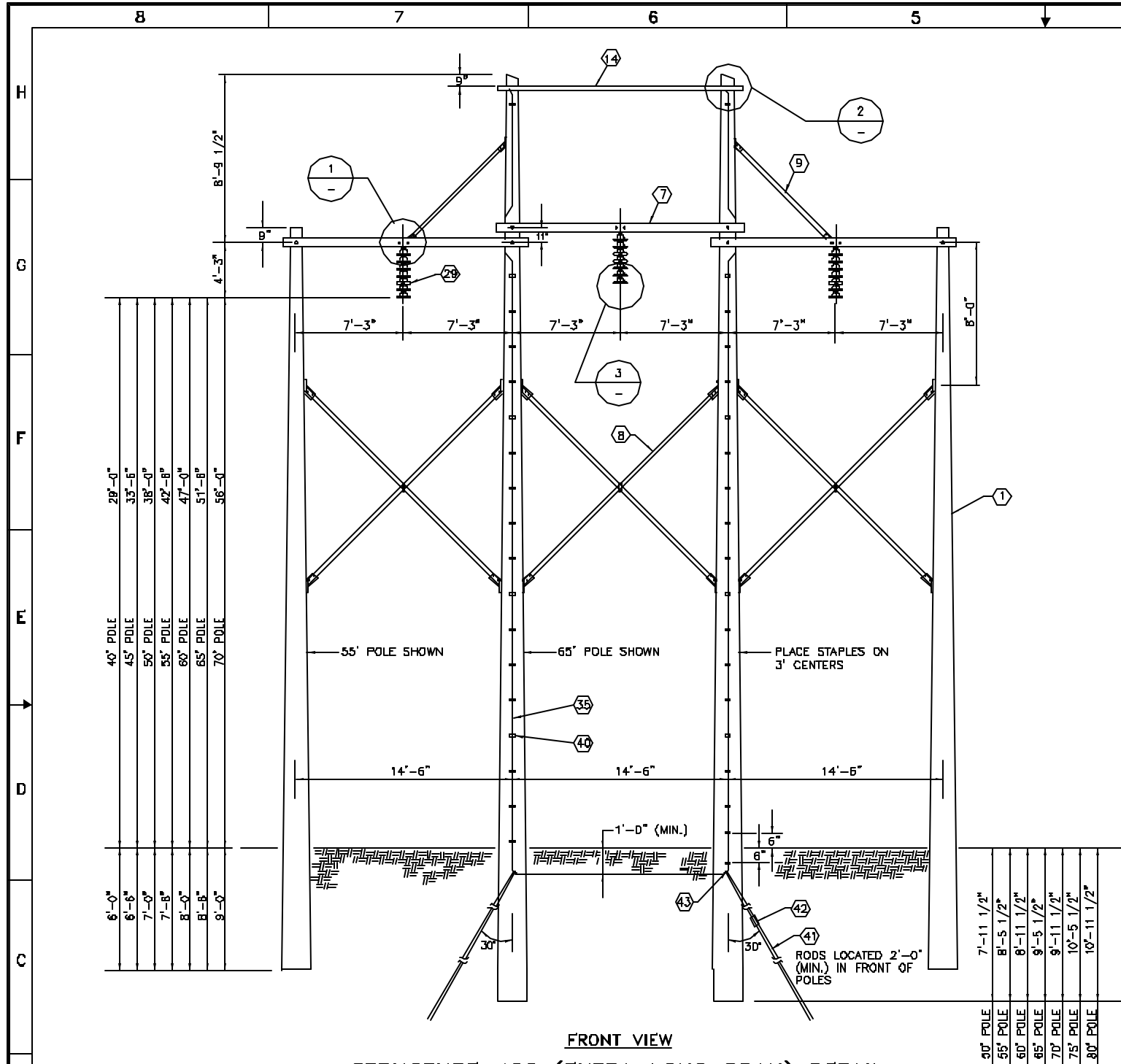


C:\LANL\Engineering\Standards\Eng. Manual (LEU)\2. Approved\ST-G4010-07E1.dwg, 10/31/02, 11:28 003368B

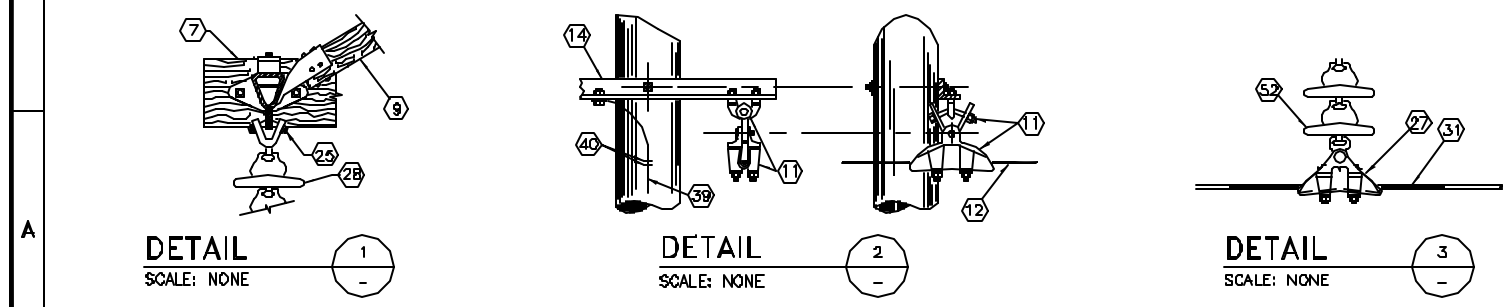


STRUCTURE 406 (EXTRA LONG SPAN) DETAIL
SCALE: NONE

GENERAL NOTES:
1. EQUIPMENT ITEM NUMBERS (Ⓛ) REFER TO EQUIPMENT NUMBERS IN LANL SUPPORT SERVICES CONTRACTOR'S MASTER BILL OF MATERIALS. ONLY THOSE NUMBERS USED ON THIS DRAWING ARE SHOWN.

ITEM	DESCRIPTION	QTY	MFR. CATALOG No.
Ⓛ	POLES: _____ FT CLASS _____ POLES: _____ FT CLASS _____	2 2	
Ⓡ	CROSS ARM ASSEMBLY: ASSEMBLED ARM WITH MOUNTING HARDWARE	3	HUGHES #C2561.4B
Ⓢ	X-BRACES: COMPLETE WITH MOUNTING HARDWARE (2-7/8" X 14", 4-7/8" X 16", 2-7/8" X 18" BOLTS)	3 SETS	HUGHES #1042-14-B-CPT
Ⓣ	VEE BRACE: COMPLETE WITH MOUNTING HARDWARE	1 SET	HUGHES #2025ACV10B
Ⓛ	SUSPENSION CLAMP: WITH 90° Y-EYE FOR 3/8", 7 STRAND SHIELD WIRE	2	HUBBELL/ANDERSON #MS-7D-N WITH #YCS-05-90
Ⓛ	ARMOR ROD: 3/8", 7 STRAND EHS	2	PREFORMED #AR-1130
Ⓛ	SHIELD WIRE DAMPER	4	ALCOA #1701-3
Ⓛ	SHIELD WIRE ANGLE: WITH MOUNTING HARDWARE	1	HUGHES #C2561.7D
Ⓛ	Y-BALL	3	HUBBELL/ANDERSON #YBC-30
Ⓛ	SUSPENSION CLAMP: WITH SOCKET EYE FOR 397.5 KCM 26/7 ACSR	3	HUBBELL/ANDERSON #HAS-147-5
Ⓛ	SUSPENSION INSULATOR: 15,000# TEST WITH BALL & SOCKET CLASS 52-5	21	LAPP #5950G
Ⓛ	ARMOR ROD: FOR 397.5 KCM 26/7 ACSR	3	PREFORMED #AR-0132
Ⓛ	CONDUCTOR DAMPER	6	ALCOA #1705-7
Ⓛ	GROUND WIRE: 30% CONDUCTIVITY, 3-#8 (REFER TO POLE HEIGHT FOR LENGTH)	AS REQ'D	COPPERWELD
Ⓛ	GROUND WIRE STAPLE	50	COOPER POWER SYSTEMS/ KEARNEY #12325-1
Ⓛ	GROUND ROD: 5/8" X 10'-0" SECTIONAL	4	THOMAS & BETTS/ BLACKBURN #B280S
Ⓛ	GROUND ROD COUPLER: 5/8" ROD	2	THOMAS & BETTS/ BLACKBURN #60C
Ⓛ	GROUND ROD CONNECTOR: 5/8" ROD TO GROUND WIRE 3#8 (2)	2	FCI-BURNDY HYTAP #YGHP28C2

NOTES FOR DESIGNER:
(DO NOT INCLUDE ON CONSTRUCTION DRAWING)
1. COMPLY WITH CURRENT EDITION OF LANL DRAFTING MANUAL FOR CALL-OUTS PROTOCOL AND LOCATION OF SCHEDULES/MATERIAL.
2. ASSIGN AN APPROPRIATE DRAWING NUMBER PER CURRENT EDITION OF LANL DRAFTING MANUAL PROTOCOL FOR DETAILS.



DRAWING DEVELOPED FOR ML-3/ML-4 PROJECTS. FOR ML-1/ML-2, ADDITIONAL REQUIREMENTS AND QA REVIEWS ARE REQUIRED. (REMOVE THIS NOTE WHEN INSERTED INTO A DRAWING PACKAGE).

NO	DATE	CLASS REV	DESCRIPTION	OWN	VER	CHKD	SUB	APP
FACILITY & WASTE OPERATIONS SYSTEMS ENGINEERING & MAINTENANCE								
LANL ENGINEERING MANUAL SITE ELECTRICAL DISTRIBUTION STDS.				DRAWN M. BAKER				
115KV TRANSMISSION LINE TANGENT STRUCTURE 406 (EXTRA LONG SPAN) DETAIL				DESIGN D. BRYANT				
BLDG. X SUBMITTED				CHECKED J. LANDMAN				
DISCIPLINE POCI DAVID POWELL				DATE 8/30/02				
Los Alamos NATIONAL LABORATORY				APPROVED FOR RELEASE STANDARDS MANAGER: TOBIN OPLICH				
CLASSIFICATION U				REVIEWER MICHAEL LADACH				
PROJECT ID CHAPTER 7				DATE 8/30/02				
DRAWING NO ST-G4010-07				SHEET 1 of 1				
REV 0								