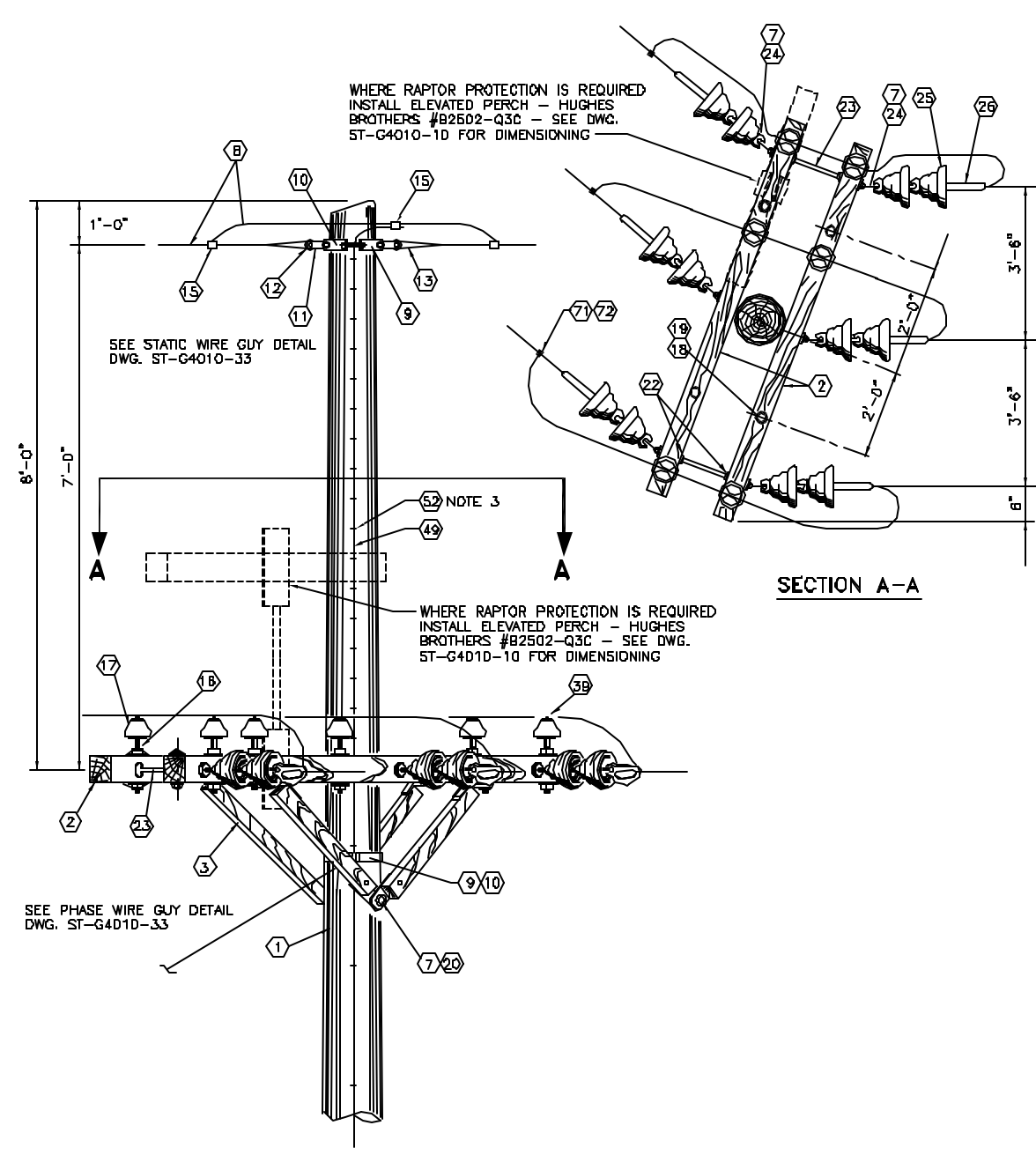
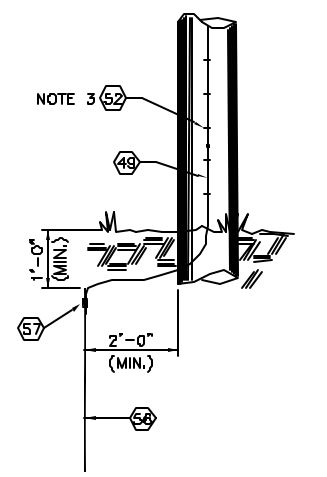


C:\LANL\Engineering\Blamere\Eng. Manual [LEU]\2. Approved\ST-G4010-13E1.dwg, 11/04/02, 11:04 083608



**30°-59° ANGLE STRUCTURE DETAIL**  
SCALE: NONE



**GROUNDING DETAIL**  
SCALE: NONE

- GENERAL NOTES:**
- CONSTRUCTION FOR WIRE SIZES #4 SOLID COPPER TO #3/0 ACSR (6/1).
  - GROUND OVERHEAD STATIC AT EVERY POLE (SEE GROUNDING DETAIL). WHERE RAPTOR PROTECTION IS REQUIRED, GROUNDING DOWN CONDUCTOR SHALL BE INSULATED TO 3'-0" BELOW CROSS ARM BRACE.
  - STAPLES ON GROUND WIRE SHALL BE 2'-0" APART EXCEPT FOR A DISTANCE OF 8'-0" ABOVE GROUND AND 8'-0" FROM TOP OF POLE WHERE THEY SHALL BE 6" APART.
  - FOR BILL OF MATERIALS, SEE DWG. ST-G4010-13, SHT. 2 OF 2.
  - EQUIPMENT ITEM NUMBERS ((1)) REFER TO EQUIPMENT NUMBERS IN LANL SUPPORT SERVICES CONTRACTOR'S MASTER BILL OF MATERIALS. ONLY THOSE NUMBERS USED ON THIS DRAWING ARE SHOWN.

**NOTES FOR DESIGNER:**  
(DO NOT INCLUDE ON CONSTRUCTION DRAWING)

- COMPLY WITH CURRENT EDITION OF LANL DRAFTING MANUAL FOR CALL-OUTS PROTOCOL AND LOCATION OF SCHEDULES/MATERIAL.
- ASSIGN AN APPROPRIATE DRAWING NUMBER PER CURRENT EDITION OF LANL DRAFTING MANUAL PROTOCOL FOR DETAILS.

DRAWING DEVELOPED FOR ML-3/ML-4 PROJECTS. FOR ML-1/ML-2, ADDITIONAL REQUIREMENTS AND QA REVIEWS ARE REQUIRED. (REMOVE THIS NOTE WHEN INSERTED INTO A DRAWING PACKAGE).

NO	DATE	CLASS REV	DESCRIPTION	OWN	VER	CHKD	SUB	APP	
<b>FACILITY &amp; WASTE OPERATIONS SYSTEMS ENGINEERING &amp; MAINTENANCE</b>									
<b>LANL ENGINEERING MANUAL SITE ELECTRICAL DISTRIBUTION STDS.</b>							DRAWN	M. BAKER	
DISTRIBUTION 30°-59° ANGLE STRUCTURE DETAIL							DESIGN	D. BRYANT	
BLDG. X SUBMITTED							CHECKED	J. LANDMAN	
DISCIPLINE POCI DAVID POWELL							DATE	8/30/02	
APPROVED FOR RELEASE STANDARDS MANAGER TOSH GRUCH							SHEET 1		
							1 of 2		
CLASSIFICATION U			REVIEWER MICHAEL LADACH		DATE 8/30/02		REV		
PROJECT ID <b>CHAPTER 7</b>							DRAWING NO <b>ST-G4010-13</b>		REV <b>0</b>