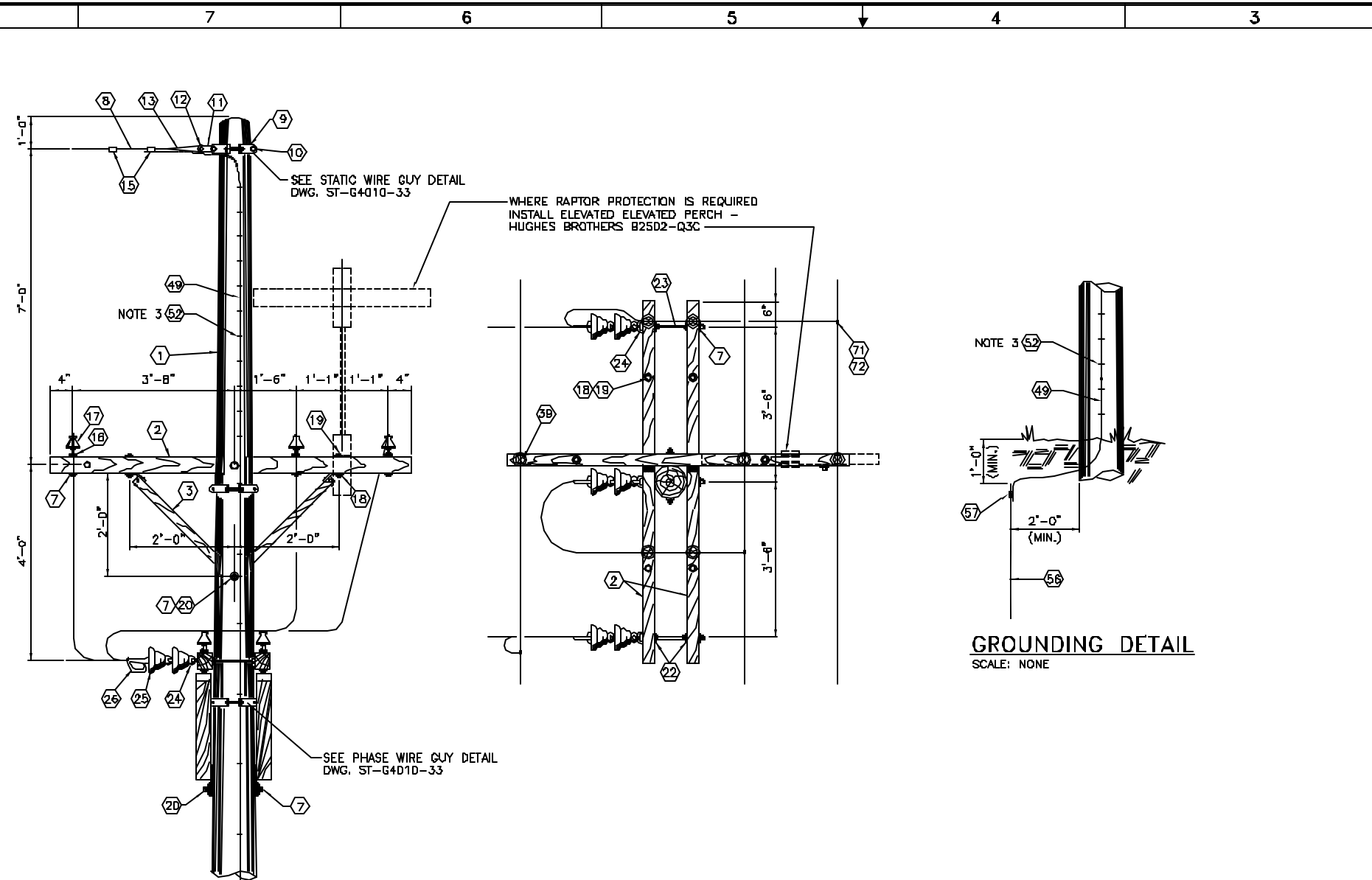
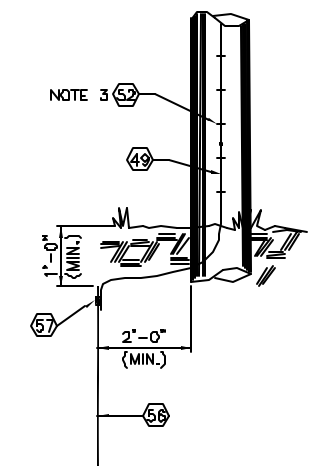


C:\LANL\Engineering\Blamere\Eng. Manual [LEU]\2. Approved\ST-G4010-17E1.dwg, 11/04/02 11:50 083688



SINGLE ARM TANGENT AND 3-WAY TAP STRUCTURE DETAIL
SCALE: NONE



GROUNDING DETAIL
SCALE: NONE

- GENERAL NOTES:**
- CONSTRUCTION FOR WIRE SIZES #4 SOLID COPPER TO #3/0 ACSR (6/1).
 - GROUND OVERHEAD STATIC AT EVERY POLE (SEE GROUNDING DETAIL). WHERE RAPTOR PROTECTION IS REQUIRED, GROUNDING DOWN CONDUCTOR SHALL BE INSULATED TO 3'-0" BELOW CROSS ARM BRACE.
 - STAPLES ON GROUND WIRE SHALL BE 2'-0" APART EXCEPT FOR A DISTANCE OF 8'-0" ABOVE GROUND AND 8'-0" FROM TOP OF POLE WHERE THEY SHALL BE 6" APART.
 - FOR BILL OF MATERIALS, SEE DWG. ST-G4010-17, SHT. 2 OF 2.
 - EQUIPMENT ITEM NUMBERS ((1)) REFER TO EQUIPMENT NUMBERS IN LANL SUPPORT SERVICES CONTRACTOR'S MASTER BILL OF MATERIALS. ONLY THOSE NUMBERS USED ON THIS DRAWING ARE SHOWN.

NOTES FOR DESIGNER:
(DO NOT INCLUDE ON CONSTRUCTION DRAWING)

- COMPLY WITH CURRENT EDITION OF LANL DRAFTING MANUAL FOR CALL-OUTS PROTOCOL AND LOCATION OF SCHEDULES/MATERIAL.
- ASSIGN AN APPROPRIATE DRAWING NUMBER PER CURRENT EDITION OF LANL DRAFTING MANUAL PROTOCOL FOR DETAILS.

DRAWING DEVELOPED FOR ML-3/ML-4 PROJECTS. FOR ML-1/ML-2, ADDITIONAL REQUIREMENTS AND QA REVIEWS ARE REQUIRED. (REMOVE THIS NOTE WHEN INSERTED INTO A DRAWING PACKAGE).

NO	DATE	CLASS REV	DESCRIPTION	OWN	VER	CHKD	SUB	APP	
FACILITY & WASTE OPERATIONS SYSTEMS ENGINEERING & MAINTENANCE									
LANL ENGINEERING MANUAL SITE ELECTRICAL DISTRIBUTION				DRAWN	M. BAKER				
DISTRIBUTION - SINGLE ARM TANGENT AND 3-WAY TAP STRUCTURE DETAIL				DESIGN	D. BRYANT				
				CHECKED	J. LANDMAN				
				DATE	8/30/02				
BLDG. X				TA-X					
SUBMITTED				APPROVED FOR RELEASE					
DISCIPLINE POCI DAVID POWELL				STANDARDS MANAGER TOSH GRUCH					
				SHEET					
				1					
CLASSIFICATION U				REVIEWER	MICHAEL LADACH			DATE	8/30/02
PROJECT ID				DRAWING NO		REV			
CHAPTER 7				ST-G4010-17		0			