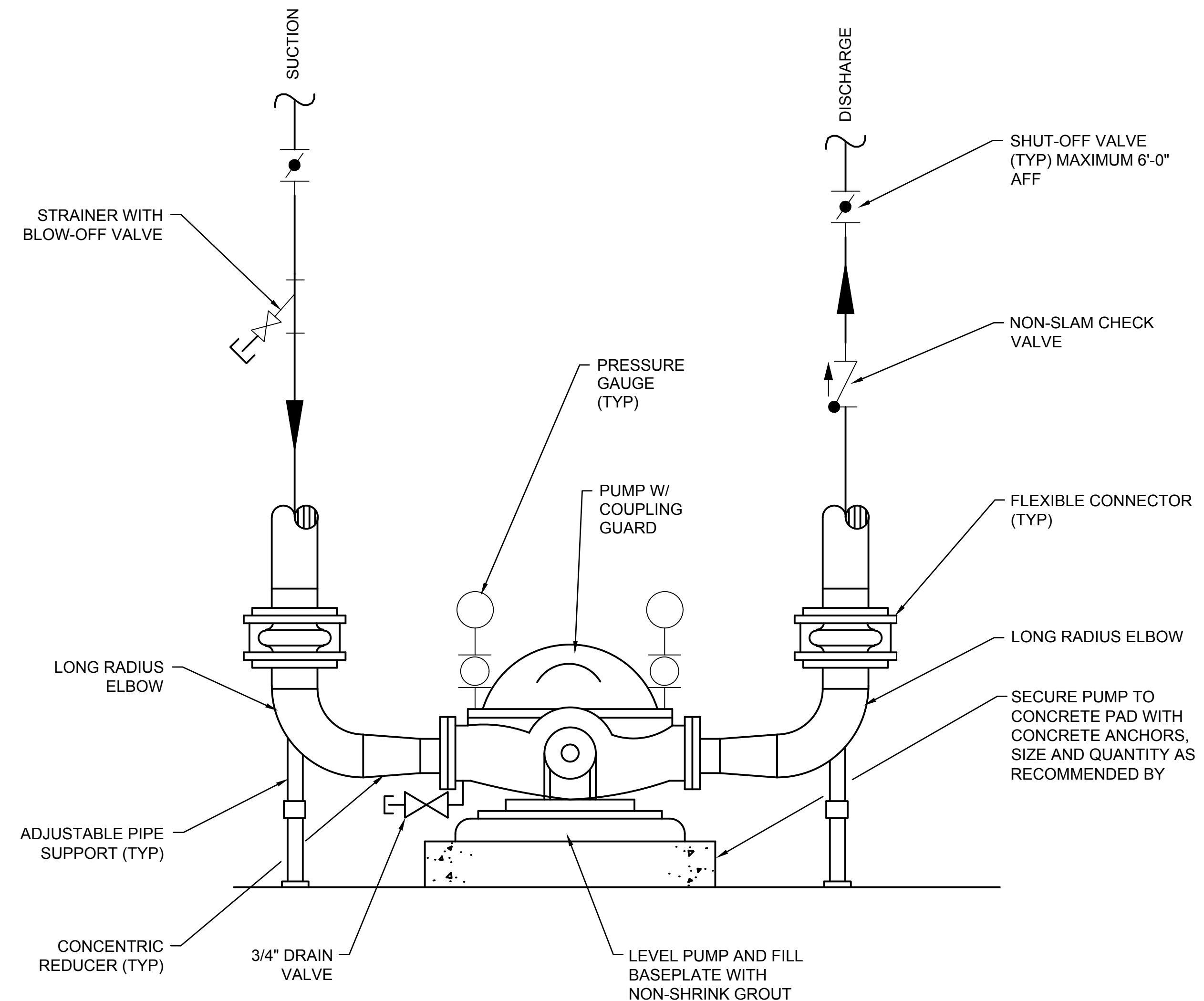


HORIZONTAL SUCTION PIPING DETAIL
SCALE: NONE



PUMP PIPING DETAIL
SCALE: NONE

NOTES FOR DESIGNER: (DO NOT INCLUDE ON CONSTRUCTION DRAWINGS)

- SEE SHEET 7.
- STANDARD RIGHT HAND ROTATION (CCW) PUMP SHOWN.

DRAWING DEVELOPED FOR ML-3/ML-4 PROJECTS. FOR ML-1/ML-2, ADDITIONAL REQUIREMENTS AND QA REVIEWS ARE REQUIRED. (REMOVE THIS NOTE WHEN INSERTED INTO A DRAWING PACKAGE).

NO	DATE	CLASS REV	DC	DESCRIPTION	DWN	DSGN	CHKD	SUB	APP
3	06-29-2017	UNCLASS	TO	ADMIN. CHANGES TO CAD STD. REV#5 FORMAT & SHEET NUMBER WAS 3 OF 8.	JB	AJ	ML	ML	TO
2	8-14-03	U	LB	EDITORIAL CHANGES & DWG. NO. WAS ST6120	RP	RF	GG	GG	TO
1	9-6-02	U	LB	GENERAL REVISION	RP	BB	GG	GG	TO

ENGINEERING STANDARDS

MECHANICAL

PUMP PIPING DETAIL
HORIZONTAL SPLIT CASE, DOUBLE SUCTION

DRAWN	R. PEARSON
DESIGN	B. BURTSCHHELL
CHECKED	G. GREWAL
DATE	06-28-99

TA- XX BLDG- XX

SUBMITTED DISCIPLINE POC: GURINDER GREWAL APPROVED FOR RELEASE STANDARDS MANAGER: TOBIN ORUCH

SHEET **3**

3 OF **7**

D.C.: U REVIEWER: LARRY BAYS DATE: 06-28-99

PROJECT ID DRAWING NO **CHAPTER 6 ST-D30GEN-4** REV **3**

00% REVIEW
NOT FOR CONSTRUCTION