

1

2

3

4

5

6

D

C

B

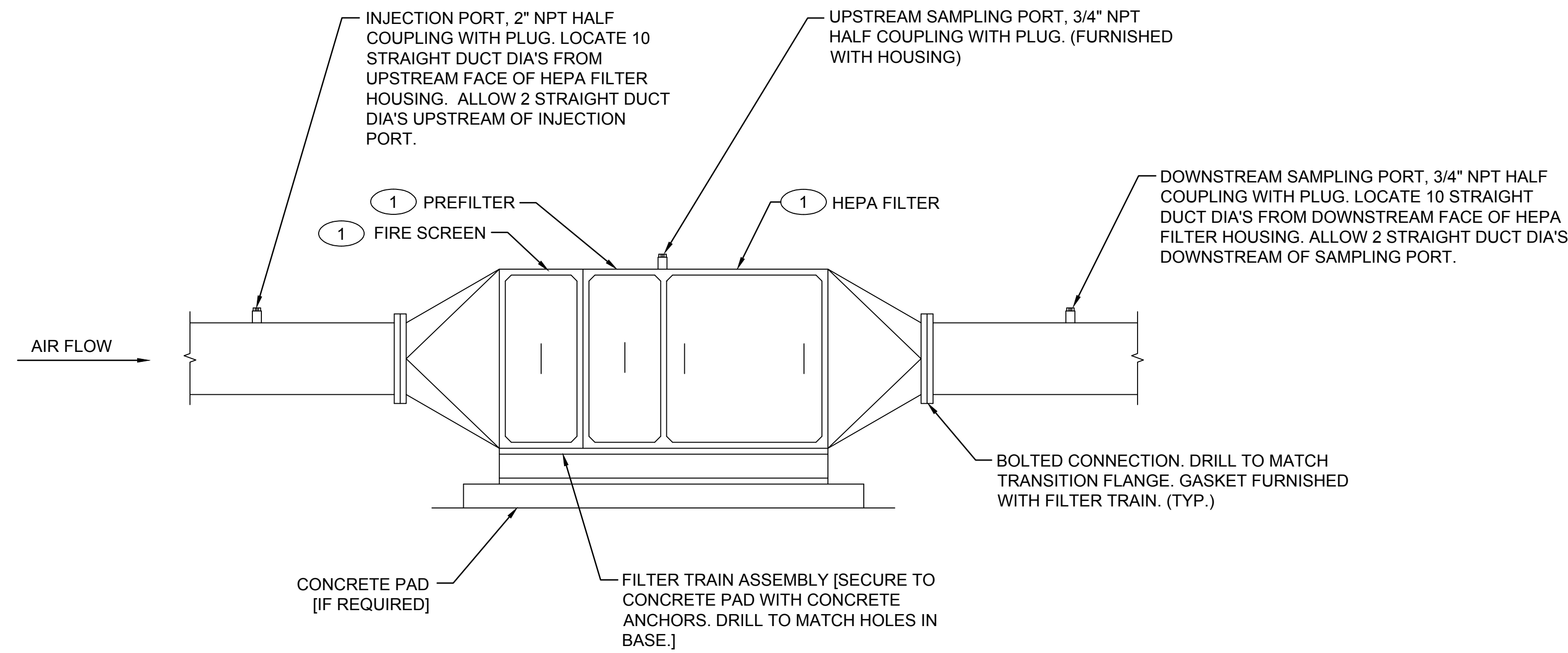
A

GENERAL NOTES:

1. SEE SHEET ST6700.4 FOR DESIGN NOTES.

KEYED NOTE:

① FOR FILTER SEE DETAIL
PRESSURE DROP GAUGES [SEE ST6700.4]



DRAWING DEVELOPED FOR ML-3/ ML-4 PROJECTS. FOR ML-1/ ML-2, ADDITIONAL REQUIREMENTS AND QA REVIEWS ARE REQUIRED. (REMOVE THIS NOTE WHEN INSERTED INTO A DRAWING PACKAGE).

FILTER TRAIN DETAIL (1 HIGH X 1 WIDE)
SCALE: NONE

1	05-11-2017	UNCLASS	ML	ADMIN. CHANGES TO CAD STD. REV#5 FORMAT	JB	ML	AJ	ML	TO
NO	DATE	CLASS REV	DC	DESCRIPTION	DWN	DSGN	CHKD	SUB	APP

ENGINEERING STANDARDS

MECHANICAL

FILTER TRAIN BAG-OUT HOUSING SINGLE STAGE HEPA FILTER

TA- XX BLDG XX

DRAWN: []
DESIGN: []
CHECKED: []
DATE: 6-28-99

APPROVED FOR RELEASE
DISCIPLINE POC: DANNY NGUYEN

M1

1 OF **4**

D.C.: U REVIEWER: DANNY NGUYEN DATE: []
PROJECT ID: XXXXXX DRAWING NO: ST6700.1 REV: 1

00% REVIEW
NOT FOR CONSTRUCTION