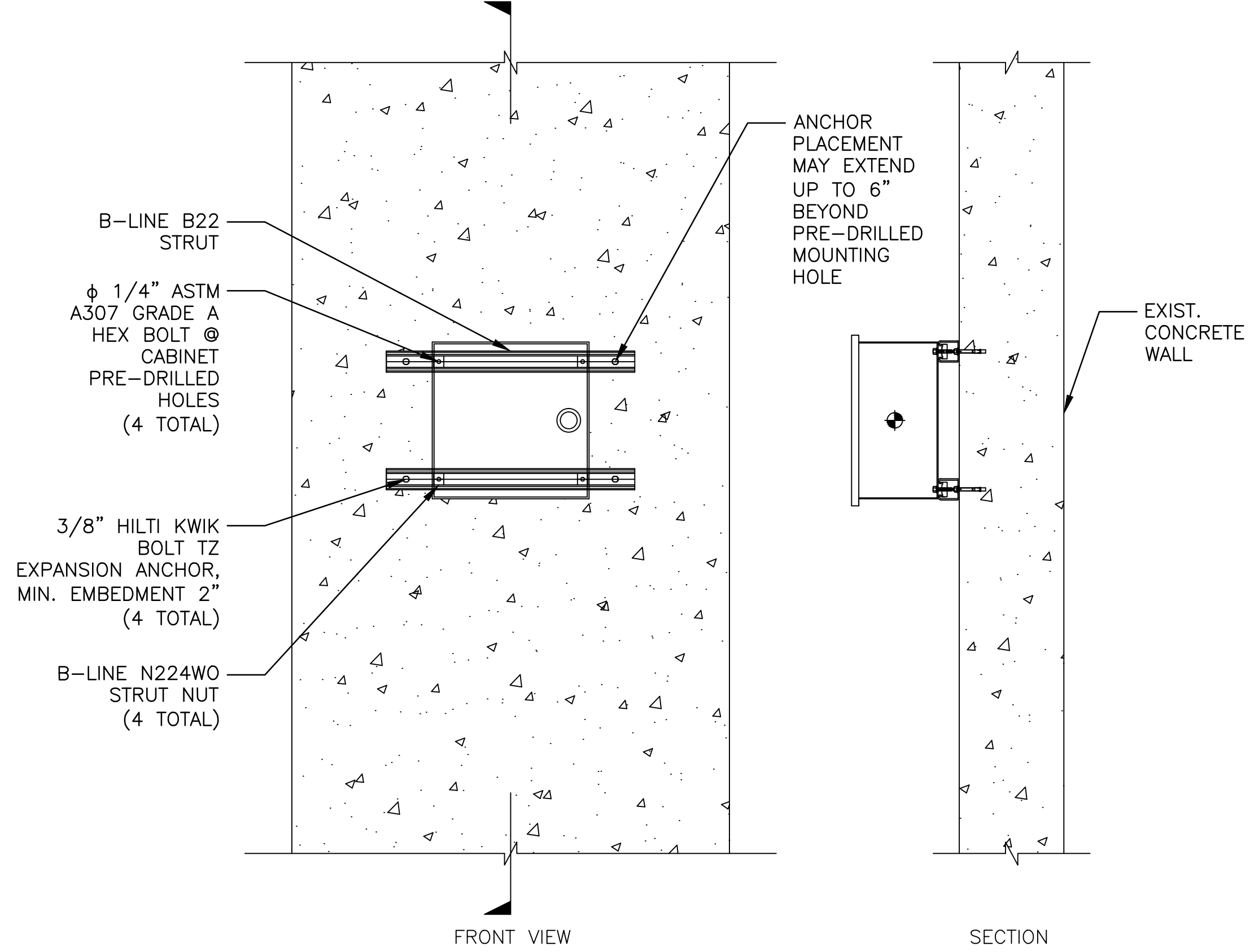
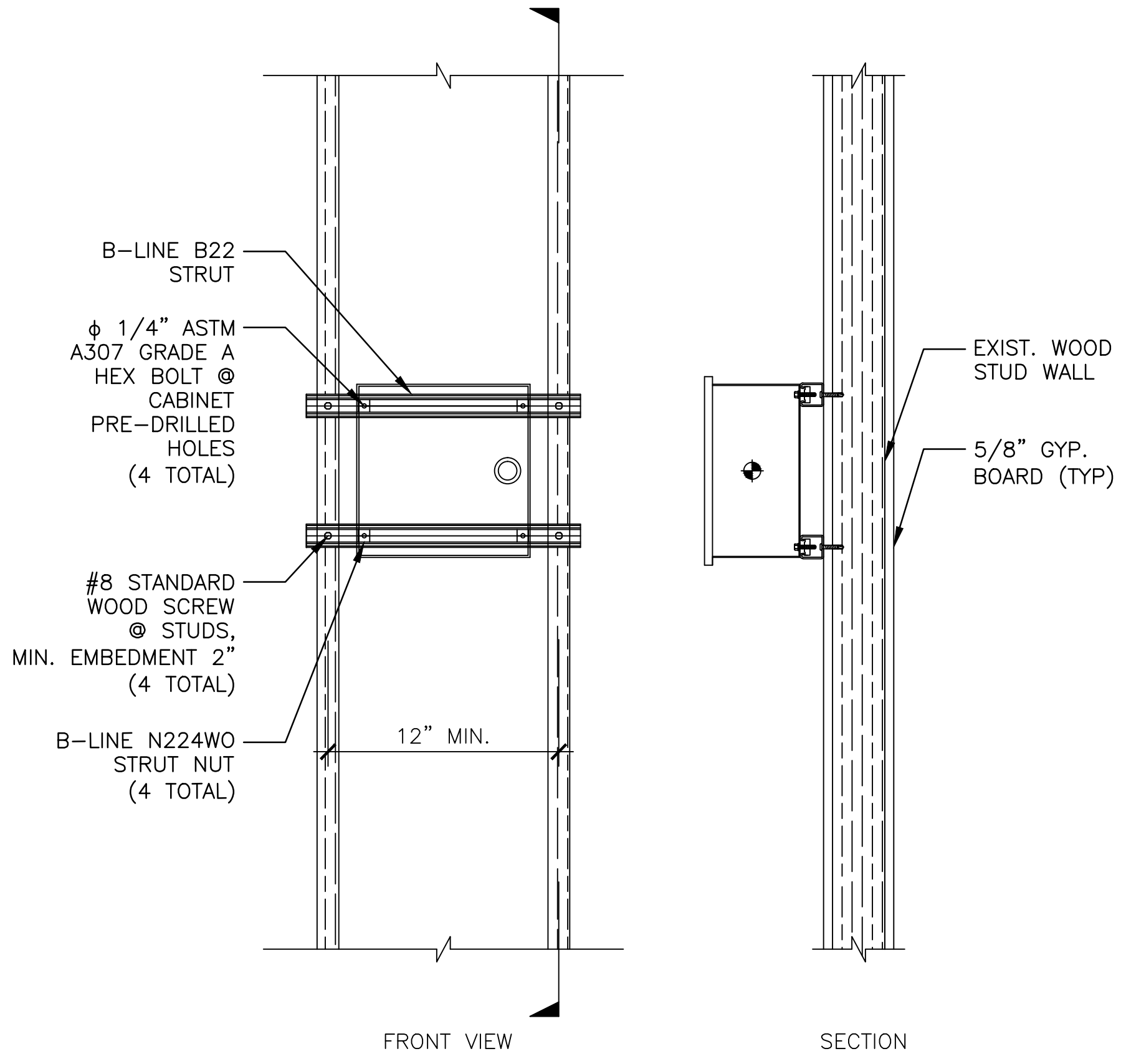


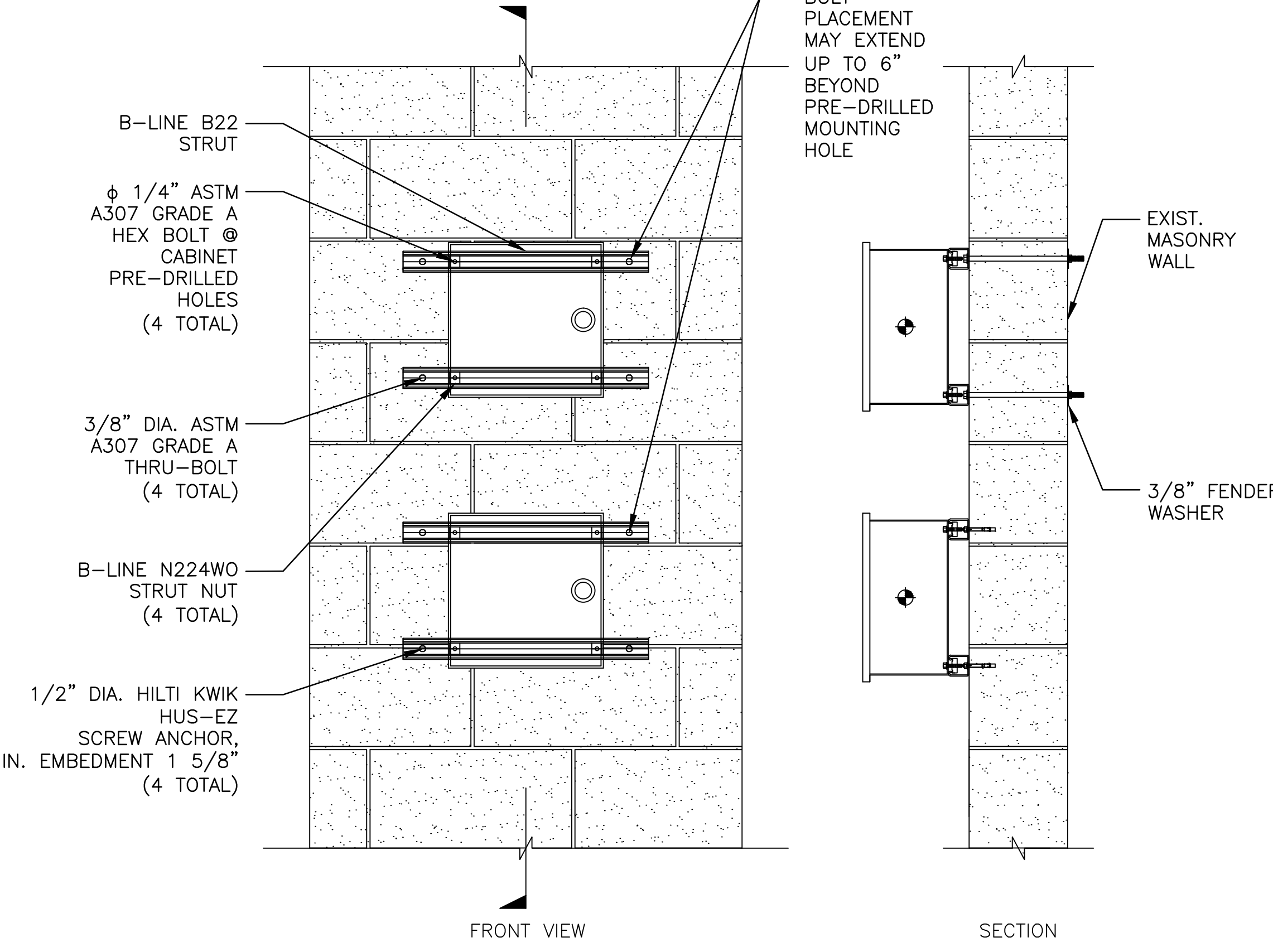
STEEL STUD WALL DETAIL
 SCALE: 1 1/2" = 1'-0"
 1 1/2" = 1'-0"



CONCRETE WALL DETAIL
 SCALE: 1 1/2" = 1'-0"
 1 1/2" = 1'-0"



WOOD STUD WALL DETAIL
 SCALE: 1 1/2" = 1'-0"
 1 1/2" = 1'-0"



MASONRY WALL DETAIL
 SCALE: 1 1/2" = 1'-0"
 1 1/2" = 1'-0"

- GENERAL NOTES:**
- IF THIS SHEET IS NOT 24"x36," USE GRAPHICAL SCALE ACCORDINGLY.
 - THIS SHEET IS FOR USE WITH EQUIPMENT LESS THAN 100 LBS.
- STEEL STUDS**
- EACH SELF-DRILLING SCREW MUST PENETRATE EXISTING STUD WITH A MIN. OF THREE THREADS PROTRUDING PAST THE BACK SIDE OF THE SUPPORTING STEEL.
- WOOD STUDS**
- EACH WOOD SCREW MUST PENETRATE EXISTING STUD.
- CONCRETE WALL**
- SPACING BETWEEN ANCHORS IN WALL MAY EXTEND UP TO 6" BEYOND PRE-DRILLED MOUNTING HOLE.
 - POST-INSTALLED ANCHORS SHALL NOT CONFLICT WITH OR DAMAGE EXISTING CONCRETE REBAR.
- MASONRY**
- SPACING BETWEEN ANCHORS IN WALL MAY EXTEND UP TO 6" BEYOND PRE-DRILLED MOUNTING HOLE.
 - PRE-DRILL MASONRY WITH A 7/16" DIA. HOLE FOR THRU-BOLT.
 - THRU-BOLTS AND SCREW ANCHORS SHALL NOT CONFLICT WITH OR DAMAGE EXISTING MASONRY REINFORCEMENT.

- NOTES FOR DESIGNER:**
 (DO NOT INCLUDE ON CONSTRUCTION DRAWINGS)
- ALL WALL TYPES**
- MIN. REQUIRED HEX BOLT SIZE IS ϕ 1/4". LARGER DIAMETERS ARE PERMISSIBLE TO ACCOUNT FOR LARGER MOUNTING HOLE DIAMETER.
 - EMBEDMENT DEPTHS, FASTENER DIAMETERS, AND NUMBER OF FASTENERS ARE MINIMUMS AND MAY BE INCREASED.
- STEEL STUD**
- MIN. REQUIRED SCREW EMBEDMENT IS 2".
 - ADD 1/2" PER LAYER OF GYPSUM BOARD TO REQUIRED EMBEDMENT DEPTH FOR MINIMUM LENGTH OF SCREW.
- WOOD STUD**
- MIN. REQUIRED SCREW EMBEDMENT IS 2".
 - ADD 1/2" PER LAYER OF GYPSUM BOARD TO REQUIRED EMBEDMENT DEPTH FOR MINIMUM LENGTH OF SCREW.
- CONCRETE WALL**
- MIN. REQUIRED EMBEDMENT DEPTH IS 2".
 - MIN. REQUIRED SPACING BETWEEN ANCHOR IS 2.5".
 - MIN. REQUIRED WALL THICKNESS IS 4".
- MASONRY WALL**
- EITHER THRU-BOLTING OR USE OF SCREW ANCHORS IS PERMITTED.
 - MIN. REQUIRED EMBEDMENT FOR SCREW ANCHORS IS 1 5/8".
 - MIN. REQUIRED SPACING BETWEEN SCREW ANCHORS IS 4". SCREW ANCHORS CAN BE STAGGERED TO SATISFY THIS REQUIREMENT.
 - MIN. REQUIRED THRU-BOLT SPACING IS 2.5".

NO	DATE	CLASS REV	ADC	DESCRIPTION	DWN	DSGN	CHKD	SUB	APP

ENGINEERING STANDARDS PROGRAM

ENGINEERING STANDARDS MANUAL	DRAWN K. SOUZA
DESIGN K. SOUZA	CHECKED A. MOSIMANN
DATE 06-04-14	

BLDG XXXX TA-XX
 SUBMITTED APPROVED FOR RELEASE
 DISCIPLINE POC: JONI L. WEAMER STANDARDS MANAGER: TOBIN ORUCH

Los Alamos NATIONAL LABORATORY
 PO Box 1663
 Los Alamos, New Mexico 87545

CLASSIFICATION: UNCLASSIFIED REVIEWER: ED SEAWALT DATE: 06-02-14
 PROJECT ID DRAWING NO SHEET

CHAPTER 5 ST-F1033-3 **S-5001**
 3 OF 4
 REV 0