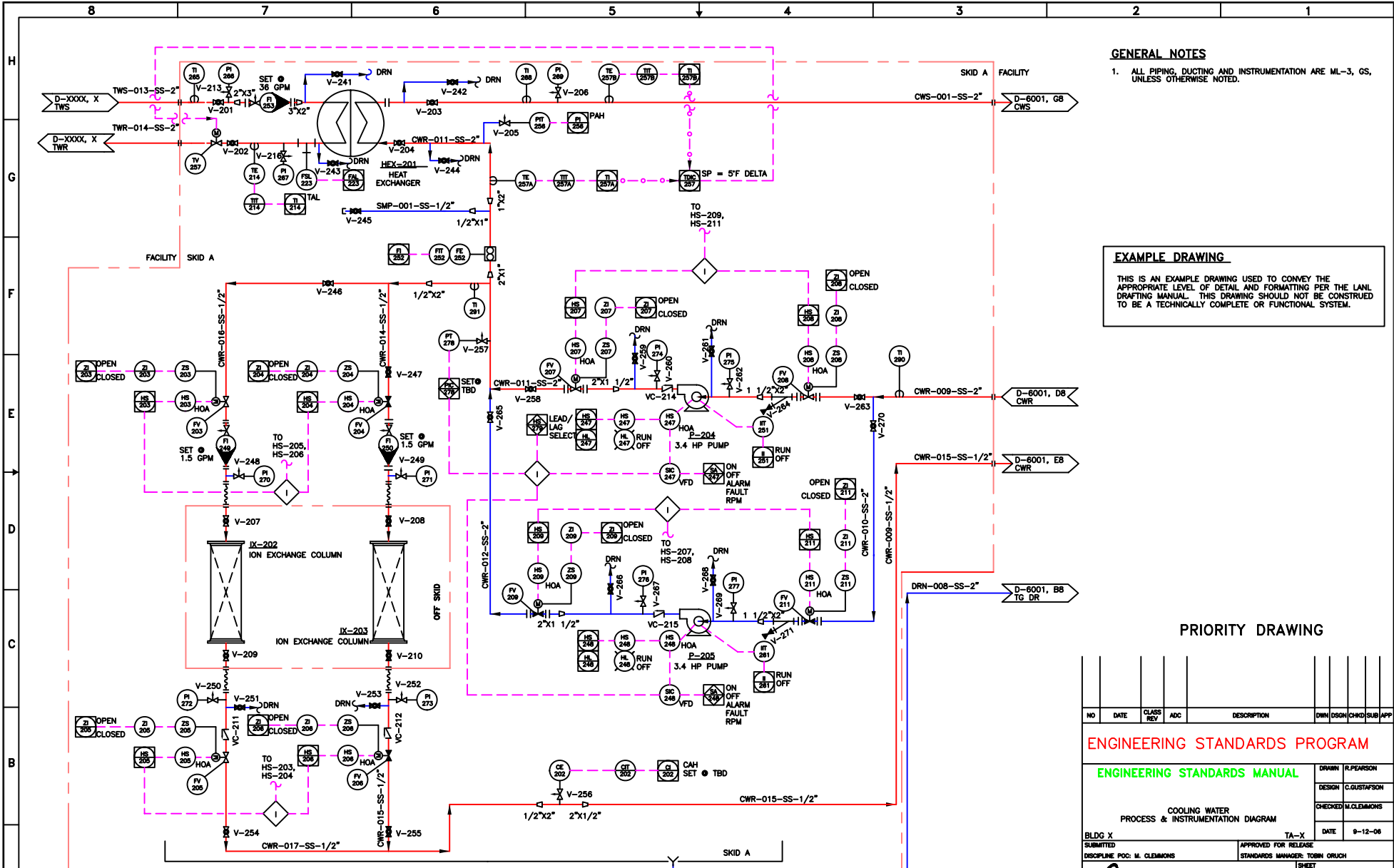


I:\data\30014837\CAO\PROCESS\COOLING WATER P&ID_1.dwg, 06/16/06 @ 17:55 operator



COOLING WATER P&ID
SCALE: NONE

GENERAL NOTES

- ALL PIPING, DUCTING AND INSTRUMENTATION ARE ML-3, GS, UNLESS OTHERWISE NOTED.

EXAMPLE DRAWING

THIS IS AN EXAMPLE DRAWING USED TO CONVEY THE APPROPRIATE LEVEL OF DETAIL AND FORMATTING PER THE LANT DRAFTING MANUAL. THIS DRAWING SHOULD NOT BE CONSTRUED TO BE A TECHNICALLY COMPLETE OR FUNCTIONAL SYSTEM.

PRIORITY DRAWING

NO	DATE	CLASS REV	ADD	DESCRIPTION	DRN	DSGN	CHKD	SUB	APP
ENGINEERING STANDARDS PROGRAM									
ENGINEERING STANDARDS MANUAL								DRWN	R.PEARSON
COOLING WATER PROCESS & INSTRUMENTATION DIAGRAM								DESIGN	C.GUSTAFSON
BLDG X								CHECKED	M.CLEMMONS
SUBMITTED								DATE	9-12-06
DISCIPLINE POC: M. CLEMMONS					APPROVED FOR RELEASE				
STANDARDS MANAGER: TOBIN ORCH					SHEET				
Los Alamos NATIONAL LABORATORY								1 OF 2	
CLASSIFICATION: U								REVIEWER: TOBIN ORCH	DATE:
PROJECT ID								DRAWING NO	REV
CHAPTER 8								D-6025	
D-6001, GB CWS								0	