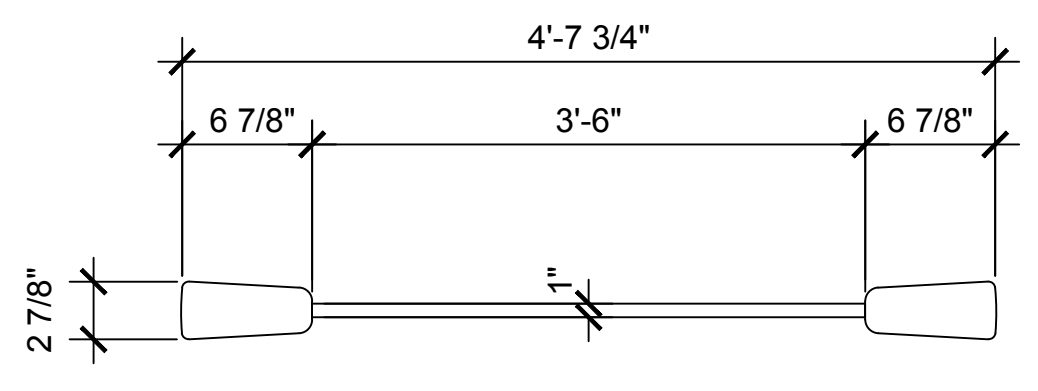
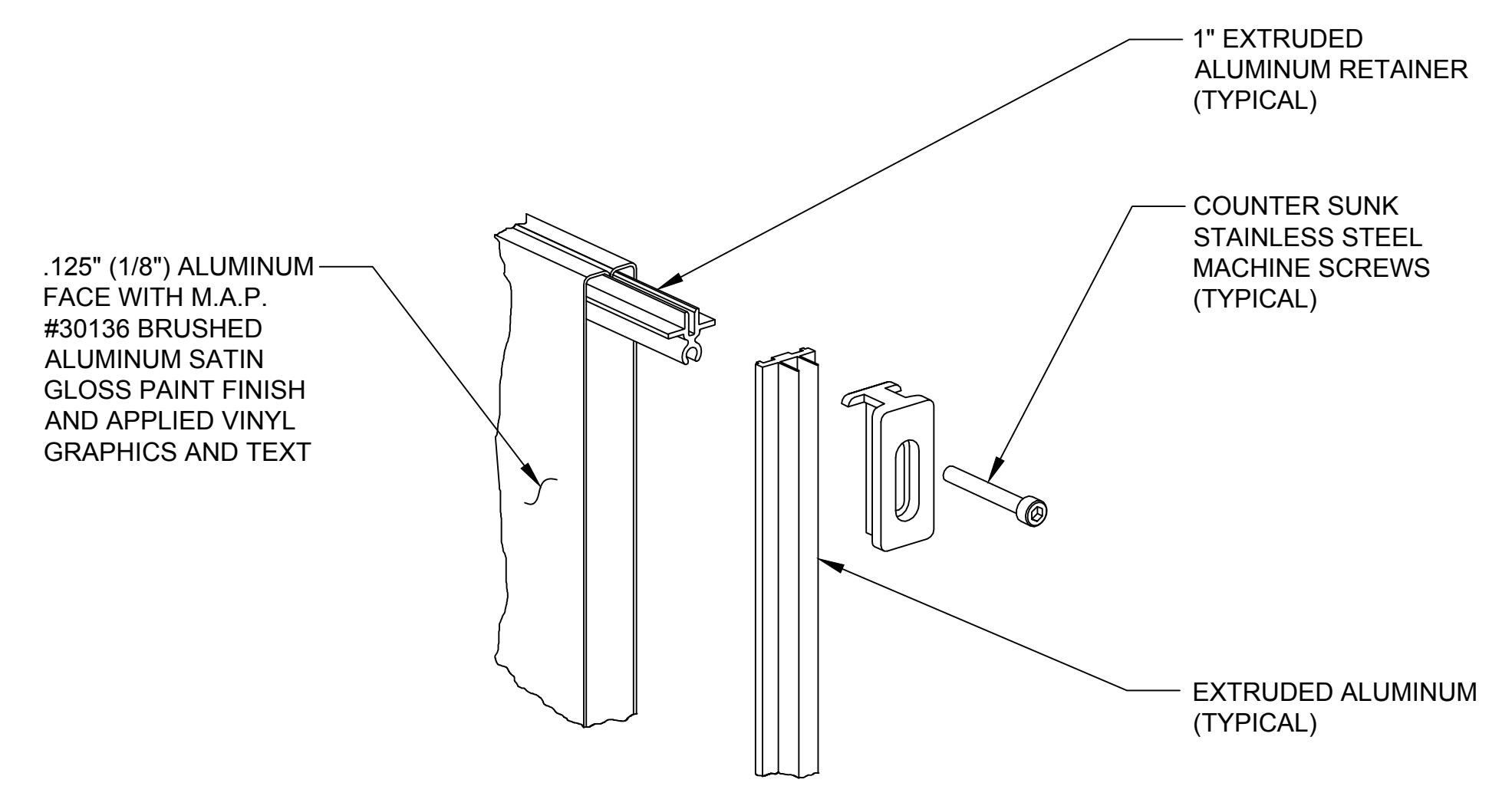


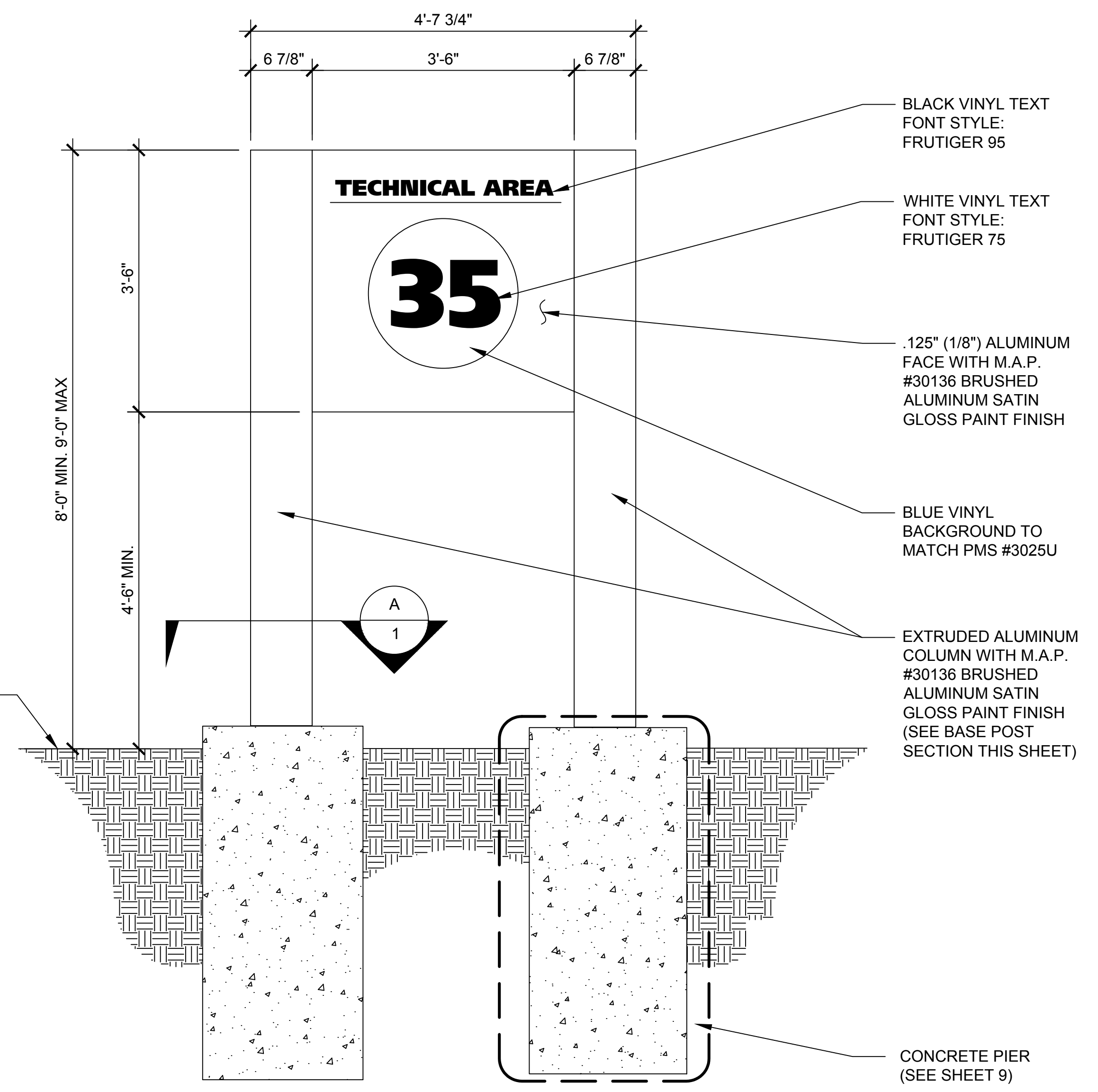
1 2 3 4 5 6



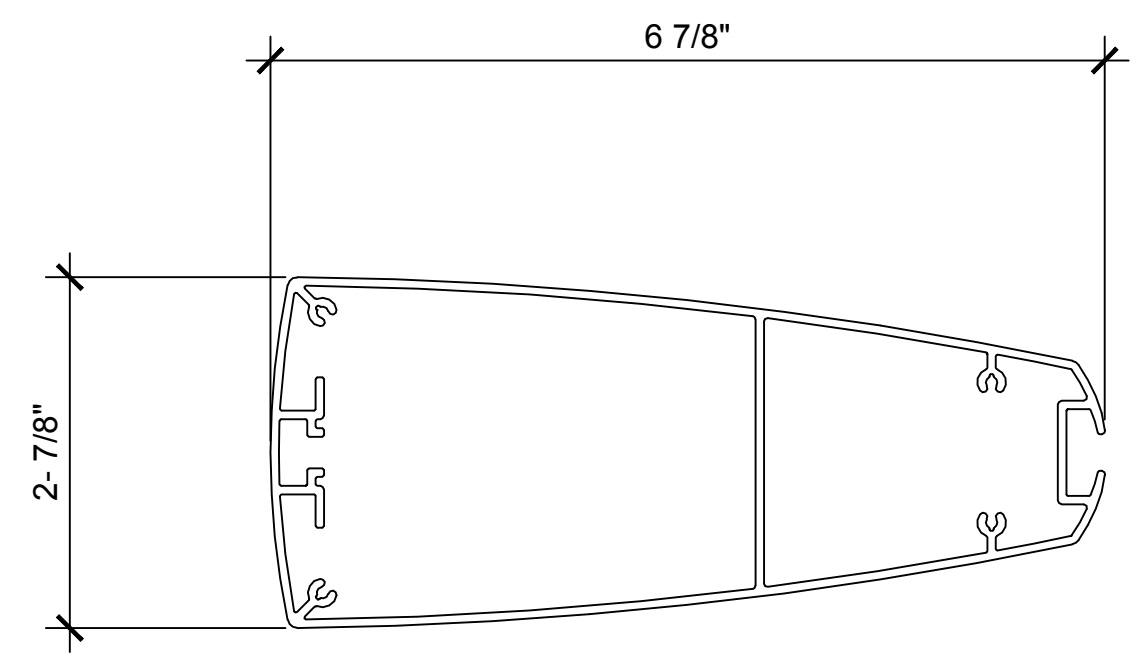
**PLAN VIEW**



**ISOMETRIC VIEW**



**FRONT VIEW**



**BASE POST SECTION**

**NOTES FOR DESIGNER:**

- ( DO NOT INCLUDE ON CONSTRUCTION DRAWINGS)
- COORDINATE WITH LANL MASTER SPECIFICATION 10 1405.
  - EDIT THIS DRAWING TO REFLECT SPECIFIC PROJECT REQUIREMENTS.

DRAWING DEVELOPED FOR ML-3/ML-4 PROJECTS. FOR ML-1/ML-2, ADDITIONAL REQUIREMENTS AND QA REVIEWS ARE REQUIRED. (REMOVE THIS NOTE WHEN INSERTED INTO A DRAWING PACKAGE)

**TECHNICAL AREA IDENTIFICATION SIGN**

SCALE: NONE

NO	DATE	CLASS REV	DC	DESCRIPTION	DWN	DSGN	CHKD	SUB	APP
3	08/16/2018	UNCLASS	TO	ELIMINATED BASE PLATE TO REFLECT FOUNDATION REVISION ON SHEET 9	SR	N/A	GP	SR	TO
2	06/27/2016	UNCLASS	EJS	ADMIN. CHANGES TO NEW FORMAT CAD STD REV#5	EJS	N/A	SR	SR	TO
1	08/30/2012	U	EJS	REVISE FOOTING DETAIL	SR	SR	RT	DC	TO

**ENGINEERING STANDARDS**

<b>ARCHITECTURAL</b>		DRAWN	R. PEARSON
<b>TECHNICAL AREA IDENTIFICATION SIGN AND DETAILS</b>		DESIGN	S. RICHARDSON
		CHECKED	R. TROUT
		DATE	5/17/04
TA- XX		BLDG	XXXX
SUBMITTED		APPROVED FOR RELEASE	
DISCIPLINE POC: S. RICHARDSON		STANDARDS MANAGER: T. ORUCH	
Los Alamos NATIONAL LABORATORY		P0 Box 1663 Los Alamos, New Mexico 87545	
		SHEET <b>1</b>	
		<b>1</b> OF <b>9</b>	
D.C.: U	REVIEWER: L. BAYS	DATE:	
PROJECT ID	DRAWING NO	REV	
<b>CHAPTER 4</b>	<b>ST-G2040-4.1</b>	<b>3</b>	

00% REVIEW NOT FOR CONSTRUCTION

D  
C  
B  
A