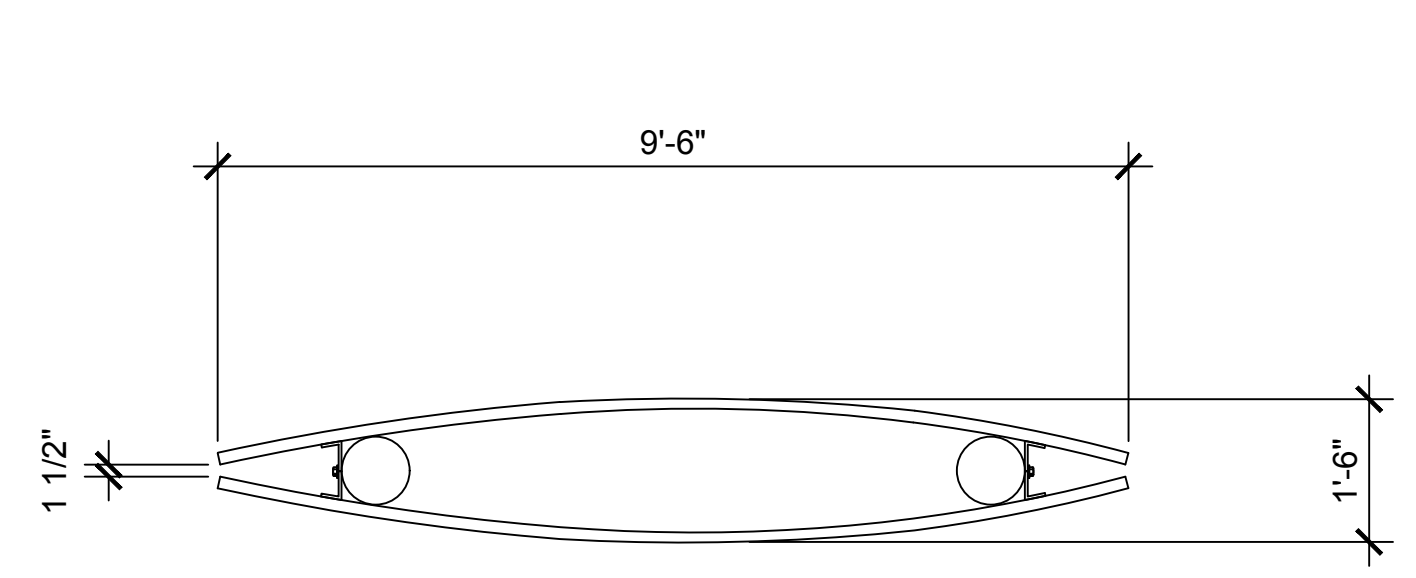
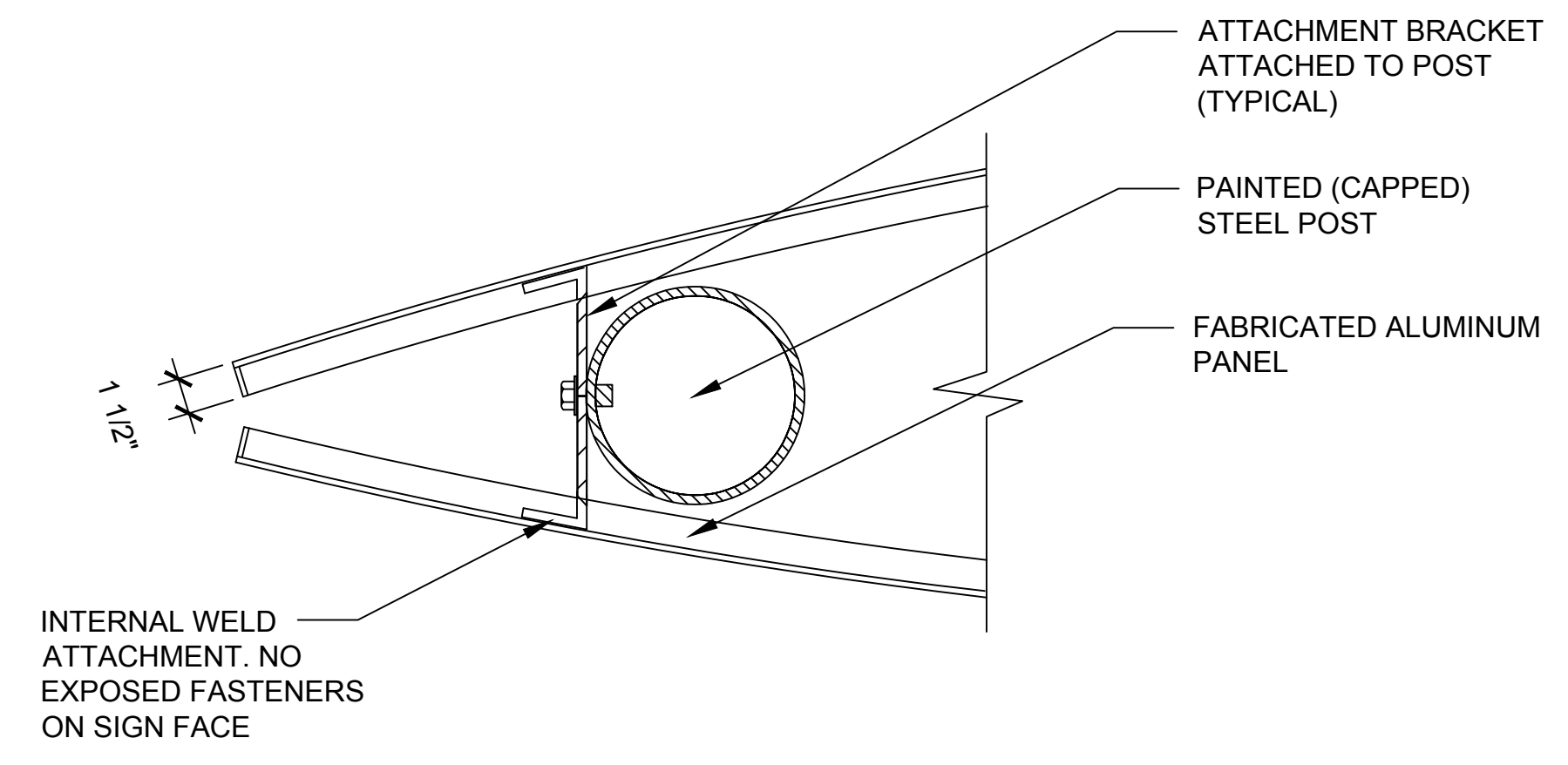


1 2 3 4 5 6

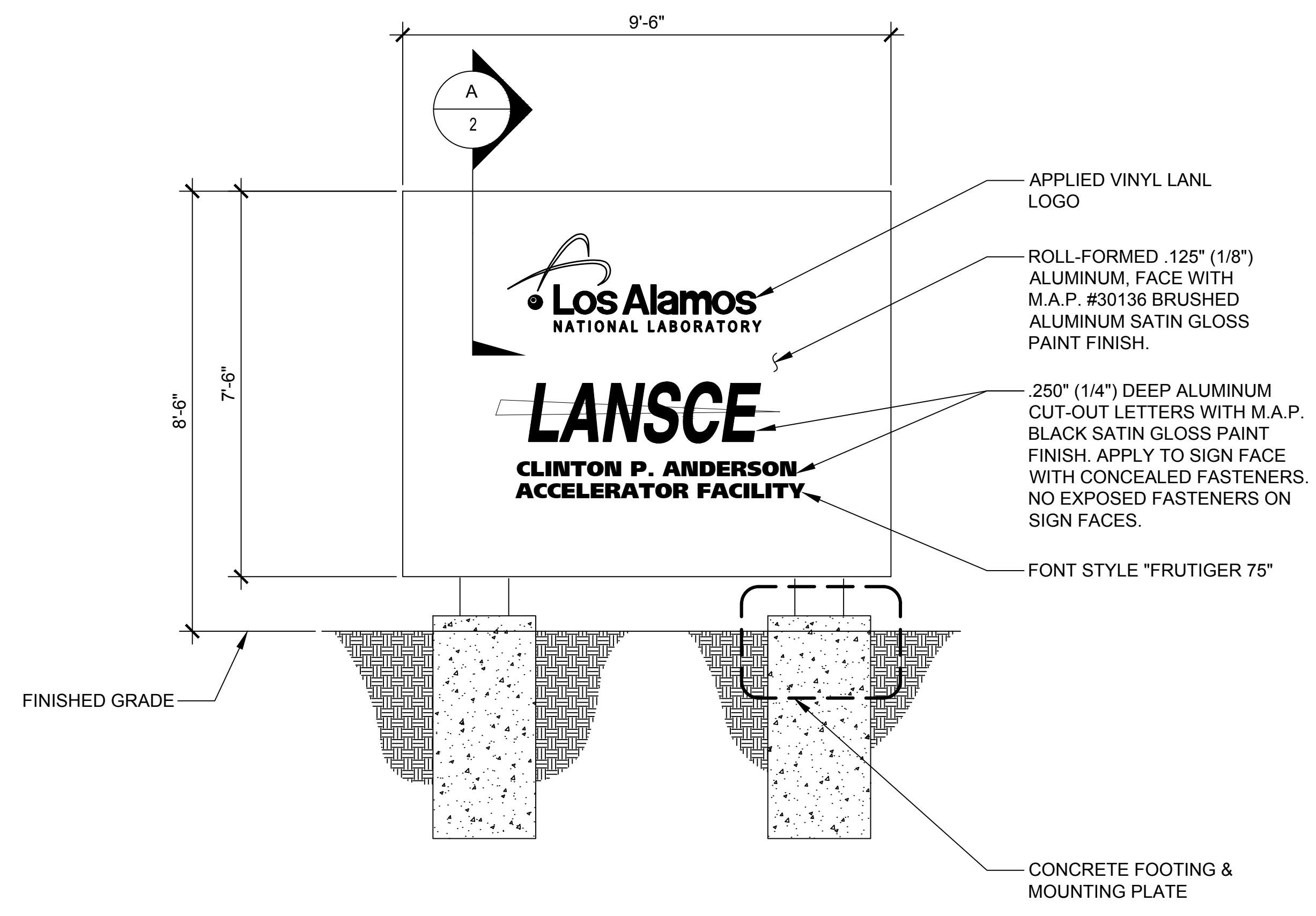


**PLAN VIEW**

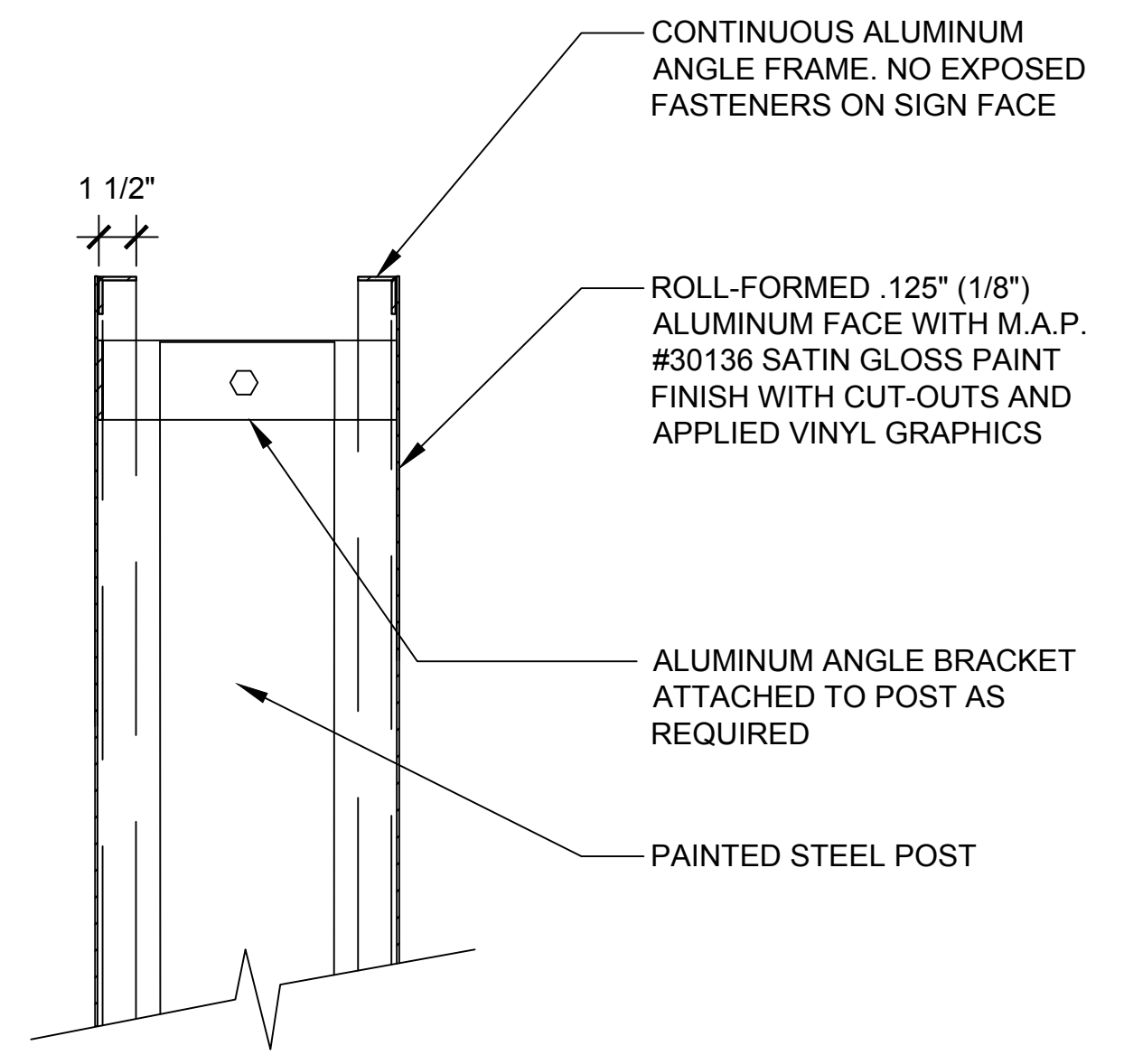


**BASE POST DETAIL**

- NOTES FOR DESIGNER:**  
 (DO NOT INCLUDE ON CONSTRUCTION DRAWINGS)
- COORDINATE WITH LANL MASTER SPECIFICATION 10 1405.
  - FOOTINGS ARE TO BE DESIGNED BY THE DESIGN AGENCY.
  - EDIT THIS DRAWING TO REFLECT SPECIFIC PROJECT REQUIREMENTS.



**FRONT VIEW**



**POST SECTION**

DRAWING DEVELOPED FOR ML-3/ML-4 PROJECTS. FOR ML-1/ML-2, ADDITIONAL REQUIREMENTS AND QA REVIEWS ARE REQUIRED. (REMOVE THIS NOTE WHEN INSERTED INTO A DRAWING PACKAGE)

**FACILITY COMPLEX IDENTIFICATION SIGN**  
 SCALE: NONE

NO	DATE	CLASS REV	DC	DESCRIPTION	DWN	DSGN	CHKD	SUB	APP
2	06/27/2016	UNCLASS	EJS	ADMIN. CHANGES TO NEW FORMAT CAD STD REV#5	EJS	N/A	SR	DC	TO
1	08/30/2012	UNCLASS	EJS	CLARIFIED FOOTING CONDITIONS	SR	SR	RT	DC	TO

**ENGINEERING STANDARDS**

**ARCHITECTURAL**

**FACILITY COMPLEX IDENTIFICATION SIGN AND DETAILS**

TA- XX BLDG XXXX

DRAWN: R. PEARSON  
 DESIGN: S. RICHARDSON  
 CHECKED: R. TROUT  
 DATE: 5-17-04

PROJECT ID: CHAPTER 4 DRAWING NO: ST-G2040-4.2

REVIEWER: L. BAYS

SHEET **2** OF **9**

REV **2**

00% REVIEW  
 NOT FOR CONSTRUCTION