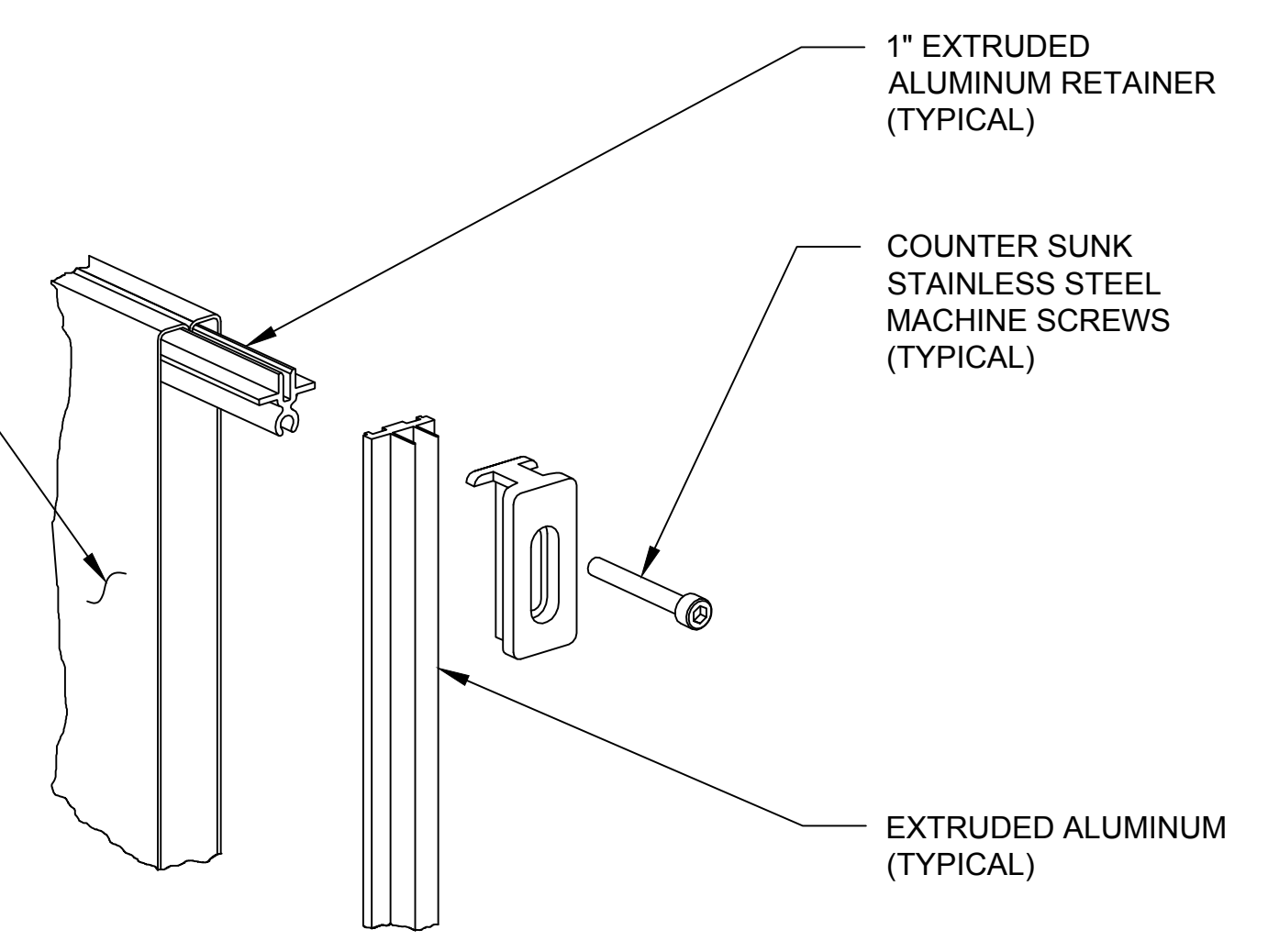


PLAN VIEW

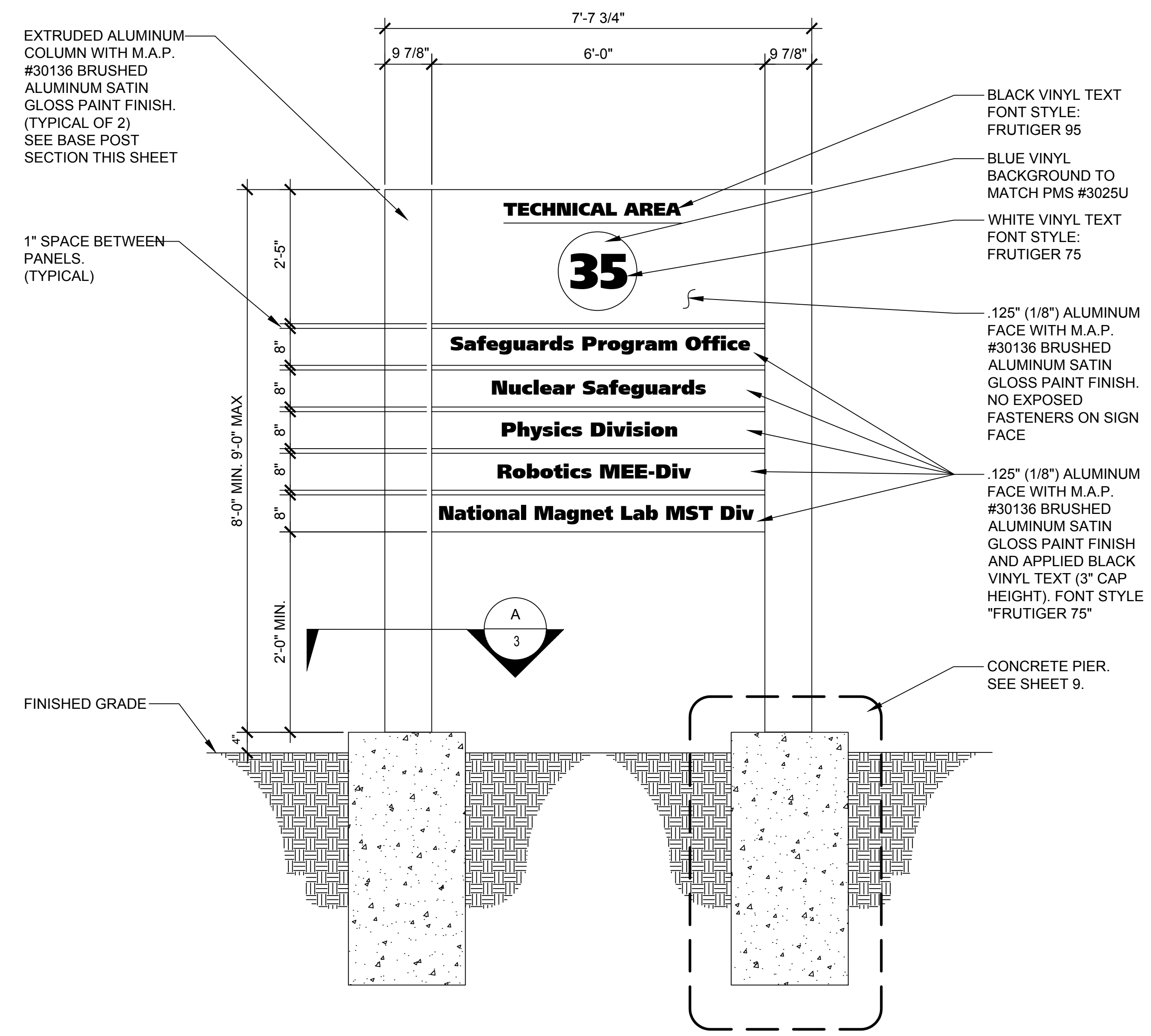
.125" (1/8") ALUMINUM FACE WITH M.A.P. #30136 BRUSHED ALUMINUM SATIN GLOSS PAINT FINISH AND APPLIED VINYL GRAPHICS AND TEXT. NO EXPOSED FASTENERS ON SIGN FACE



ISOMETRIC VIEW

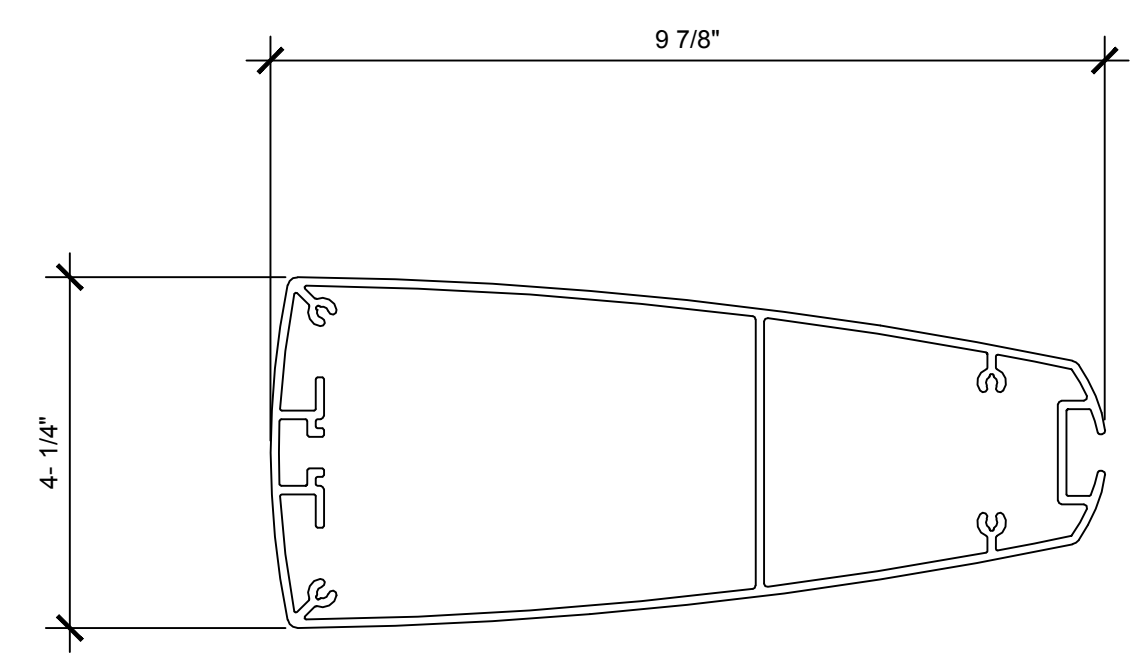
NOTES FOR DESIGNER:

- (DO NOT INCLUDE ON CONSTRUCTION DRAWINGS)
- COORDINATE WITH LANL MASTER SPECIFICATION 10 1405.
 - EDIT THIS DRAWING TO REFLECT SPECIFIC PROJECT REQUIREMENTS.



FRONT VIEW

- BLACK VINYL TEXT FONT STYLE: FRUTIGER 95
- BLUE VINYL BACKGROUND TO MATCH PMS #3025U
- WHITE VINYL TEXT FONT STYLE: FRUTIGER 75
- .125" (1/8") ALUMINUM FACE WITH M.A.P. #30136 BRUSHED ALUMINUM SATIN GLOSS PAINT FINISH. NO EXPOSED FASTENERS ON SIGN FACE
- .125" (1/8") ALUMINUM FACE WITH M.A.P. #30136 BRUSHED ALUMINUM SATIN GLOSS PAINT FINISH AND APPLIED BLACK VINYL TEXT (3" CAP HEIGHT), FONT STYLE "FRUTIGER 75"



BASE POST SECTION

DRAWING DEVELOPED FOR ML-3/ML-4 PROJECTS. FOR ML-1/ML-2, ADDITIONAL REQUIREMENTS AND QA REVIEWS ARE REQUIRED. (REMOVE THIS NOTE WHEN INSERTED INTO A DRAWING PACKAGE)

DIVISION IDENTIFICATION SIGN

SCALE: NONE

NO	DATE	CLASS REV	DC	DESCRIPTION	DWN	DSGN	CHKD	SUB	APP
3	08/16/2018	UNCLASS	TO	ELIMINATED BASE PLATE TO REFLECT REVISED FOUNDATION ON SHEET 9.	SR	N/A	GP	SR	TO
2	06/27/2016	UNCLASS	EJS	ADMIN. CHANGES TO NEW FORMAT CAD STD REV#5	EJS	N/A	SR	SR	TO
1	08/30/2012	U	EJS	REVISED FOOTING DETAIL	SR	SR	RT	DC	TO

ENGINEERING STANDARDS

ARCHITECTURAL

DIVISION IDENTIFICATION SIGN AND DETAILS

TA- XX BLDG XXXX

DRAWN: R. PEARSON
 DESIGN: S. RICHARDSON
 CHECKED: R. TROUT
 DATE: 05/17/04

SUBMITTED DISCIPLINE POC: S. RICHARDSON APPROVED FOR RELEASE STANDARDS MANAGER: T. ORUCH

Los Alamos NATIONAL LABORATORY PO Box 1663 Los Alamos, New Mexico 87545

D.C.: U REVIEWER: L. BAYS DATE: PROJECT ID DRAWING NO: CHAPTER 4 ST-G2040-4.3 REV 3

00% REVIEW NOT FOR CONSTRUCTION