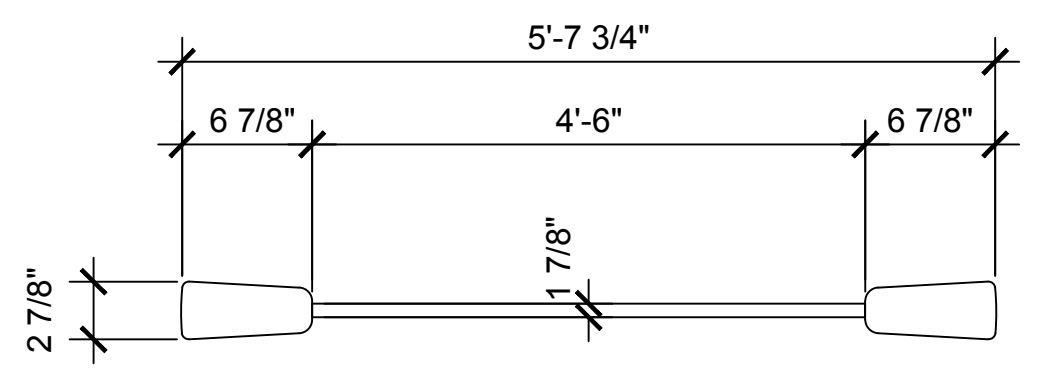
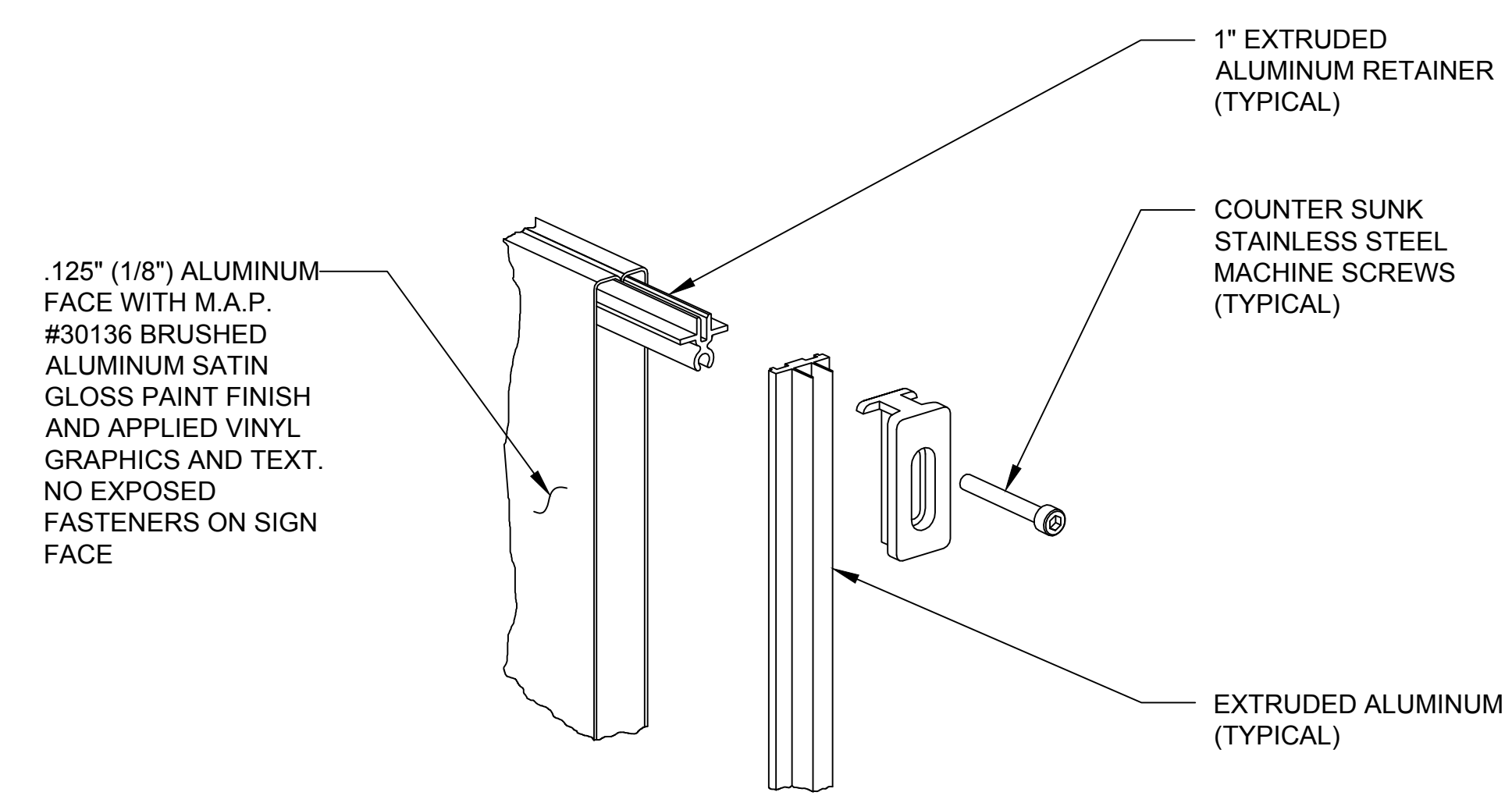


1 2 3 4 5 6



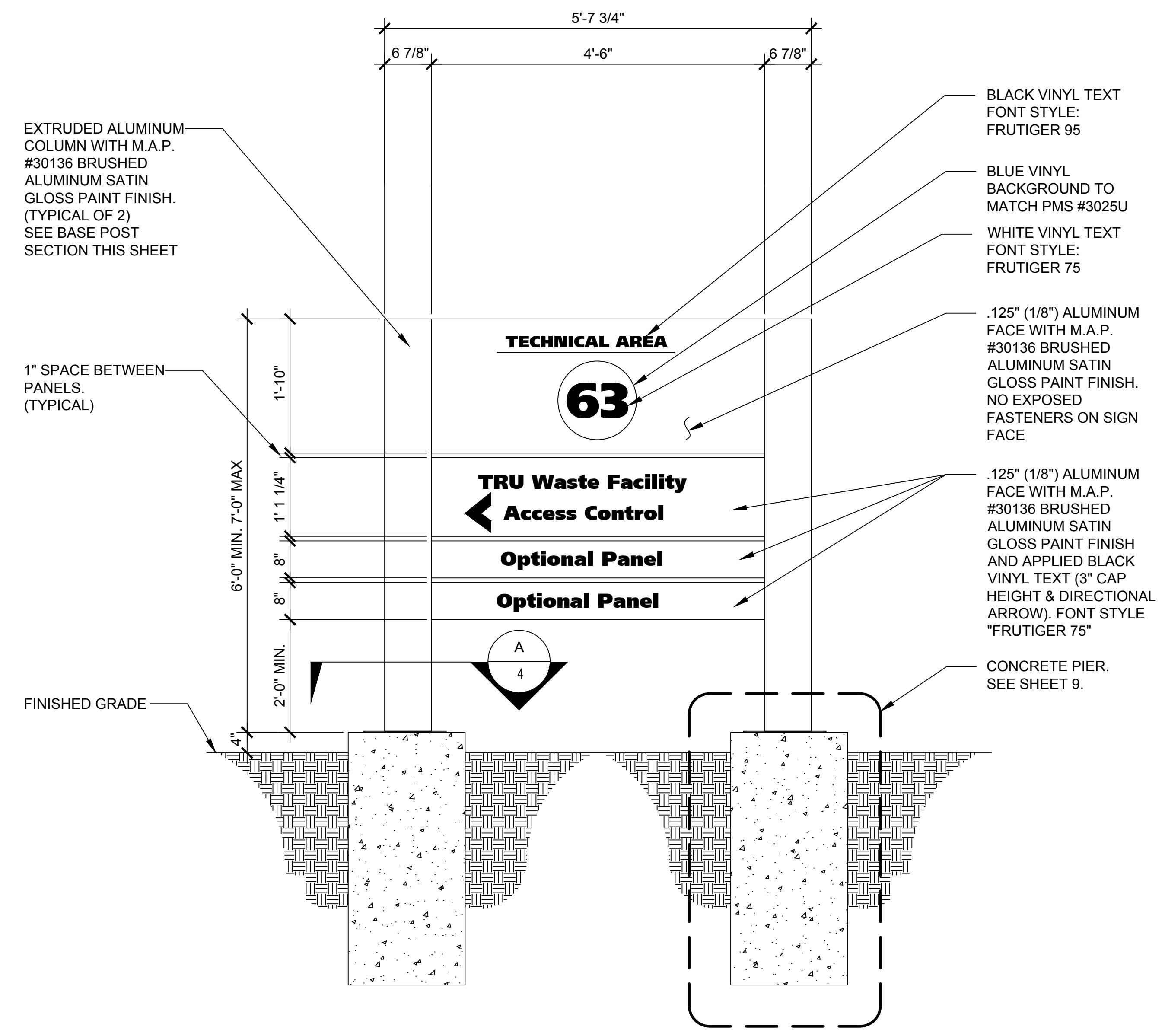
PLAN VIEW



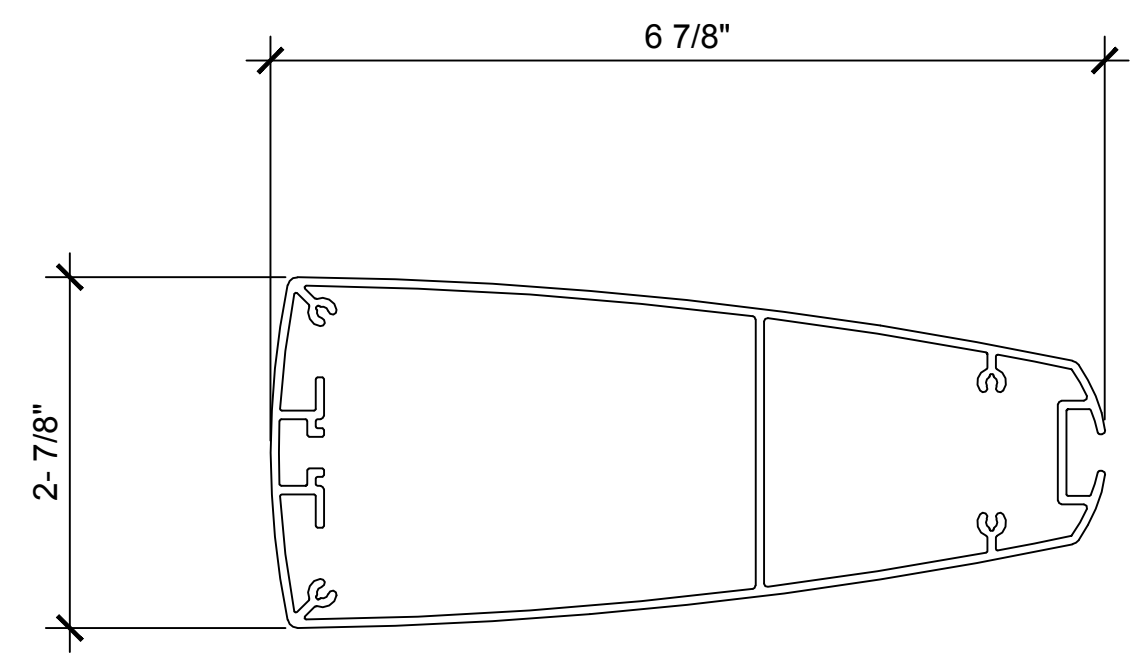
ISOMETRIC VIEW

NOTES FOR DESIGNER:

- (DO NOT INCLUDE ON CONSTRUCTION DRAWINGS)
- COORDINATE WITH LANL MASTER SPECIFICATION 10 1405.
 - EDIT THIS DRAWING TO REFLECT SPECIFIC PROJECT REQUIREMENTS.



FRONT VIEW



BASE POST SECTION

DRAWING DEVELOPED FOR ML-3/ML-4 PROJECTS. FOR ML-1/ML-2, ADDITIONAL REQUIREMENTS AND QA REVIEWS ARE REQUIRED. (REMOVE THIS NOTE WHEN INSERTED INTO A DRAWING PACKAGE)

PEDESTRIAN DIRECTIONAL SIGN "A"

SCALE: NONE

NO	DATE	CLASS REV	DC	DESCRIPTION	DWN	DSGN	CHKD	SUB	APP
3	08/16/2018	UNCLASS	TO	ELIMINATED BASE PLATE TO REFLECT REVISED FOUNDATION ON SHEET 9	SR	N/A	GP	SR	TO
2	06/27/2016	UNCLASS	EJS	ADMIN. CHANGES TO NEW FORMAT CAD STD REV#5	EJS	N/A	SR	SR	TO
1	08/30/2012	U	EJS	REVISED FOOTING DETAIL	SR	SR	RT	DC	TO

ENGINEERING STANDARDS

ARCHITECTURAL		DRAWN	R. PEARSON
PEDESTRIAN DIRECTIONAL SIGN "A" AND DETAILS		DESIGN	S. RICHARDSON
		CHECKED	R. TROUT
		DATE	5-17-04
TA- XX BLDG XXXX			
SUBMITTED DISCIPLINE POC: S. RICHARDSON		APPROVED FOR RELEASE STANDARDS MANAGER: T. ORUCH	
Los Alamos NATIONAL LABORATORY		PO Box 1663 Los Alamos, New Mexico 87545	
D.C.: U PROJECT ID		REVIEWER: L. BAYS	DATE:
CHAPTER 4		ST-G2040-4.4	

00% REVIEW NOT FOR CONSTRUCTION

SHEET 4 OF 9 REV 3