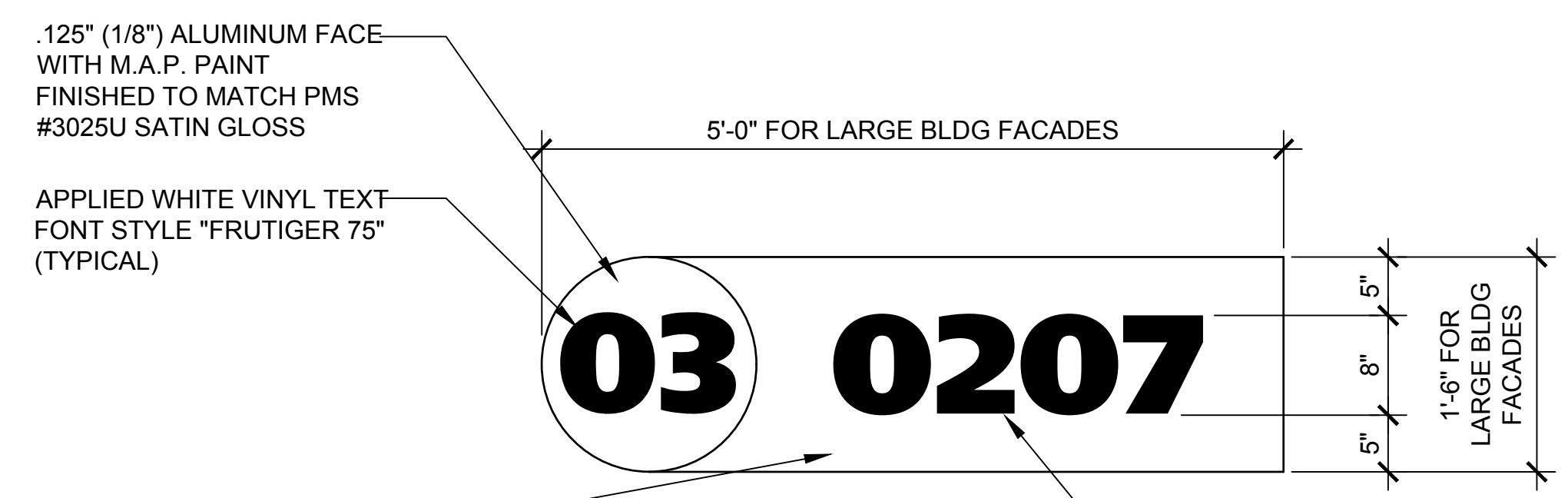


**ALTERNATE ON-BUILDING IDENTIFICATION SIGN**

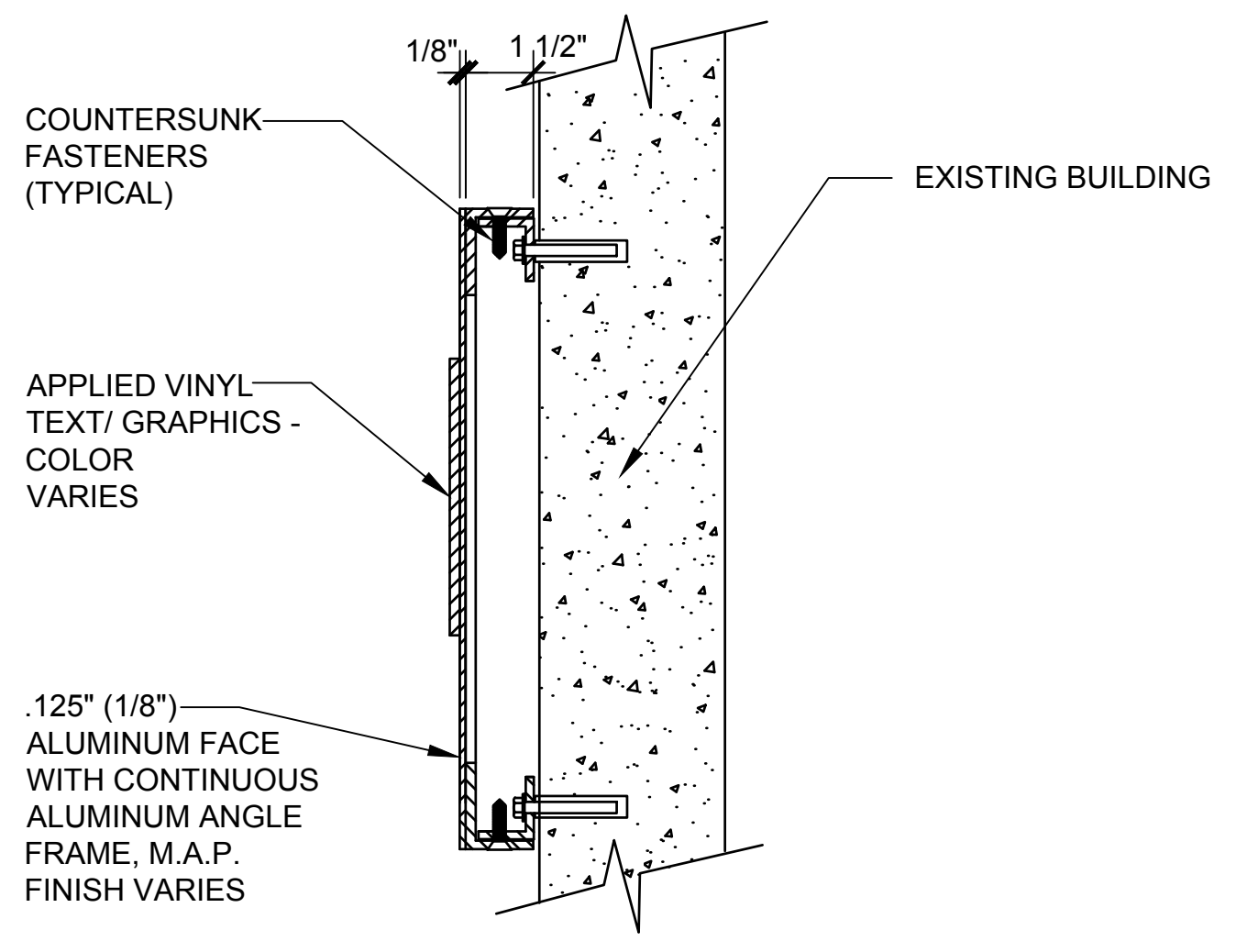


**ON-BUILDING IDENTIFICATION SIGN**

**BUILDING IDENTIFICATION PLAQUES**  
SCALE: NONE

.125" (1/8") ALUMINUM FACE WITH CONTINUOUS ALUMINUM ANGLE FRAME, M.A.P. #30136 BRUSHED ALUMINUM SATIN GLOSS PAINT FINISH

APPLIED BLACK VINYL TEXT. FONT STYLE "FRUTIGER 75"



**SECTION DETAIL**

**NOTES FOR DESIGNER:**

- (DO NOT INCLUDE ON CONSTRUCTION DRAWINGS)
- COORDINATE WITH LANL MASTER SPECIFICATION 10 1405.
  - EDIT THIS DRAWING TO REFLECT SPECIFIC PROJECT REQUIREMENTS.

DRAWING DEVELOPED FOR ML-3/ML-4 PROJECTS. FOR ML-1/ML-2, ADDITIONAL REQUIREMENTS AND QA REVIEWS ARE REQUIRED. (REMOVE THIS NOTE WHEN INSERTED INTO A DRAWING PACKAGE)

NO	DATE	CLASS REV	DC	DESCRIPTION	DWN	DSGN	CHKD	SUB	APP
3	08/16/2018	UNCLASS	TO	CLARIFIED THE GIVEN DIMENSIONS ARE FOR LARGE BUILDING FACADES.	SR	N/A	KM	SR	TO
2	06/27/2016	UNCLASS	EJS	ADMIN. CHANGES TO NEW FORMAT CAD STD REV#5	EJS	N/A	SR	SR	TO
1	08/30/2012	U	EJS	REVISED NOTES TO DESIGNER	SR	SR	RT	DC	TO

**ENGINEERING STANDARDS**

**ARCHITECTURAL**

**BUILDING IDENTIFICATION PLAQUES AND DETAIL**

TA- XX BLDG XXXX

DRAWN: R. PEARSON  
DESIGN: S. RICHARDSON  
CHECKED: R. TROUT  
DATE: 5-17-04

APPROVED FOR RELEASE STANDARDS MANAGER: T. ORUCH

Los Alamos NATIONAL LABORATORY

PO Box 1663  
Los Alamos, New Mexico 87545

D.C.: U PROJECT ID: CHAPTER 4 REVIEWER: L. BAYS DRAWING NO: ST-G2040-4.8 DATE: REV: 3

SHEET 8 OF 9

00% REVIEW  
NOT FOR CONSTRUCTION