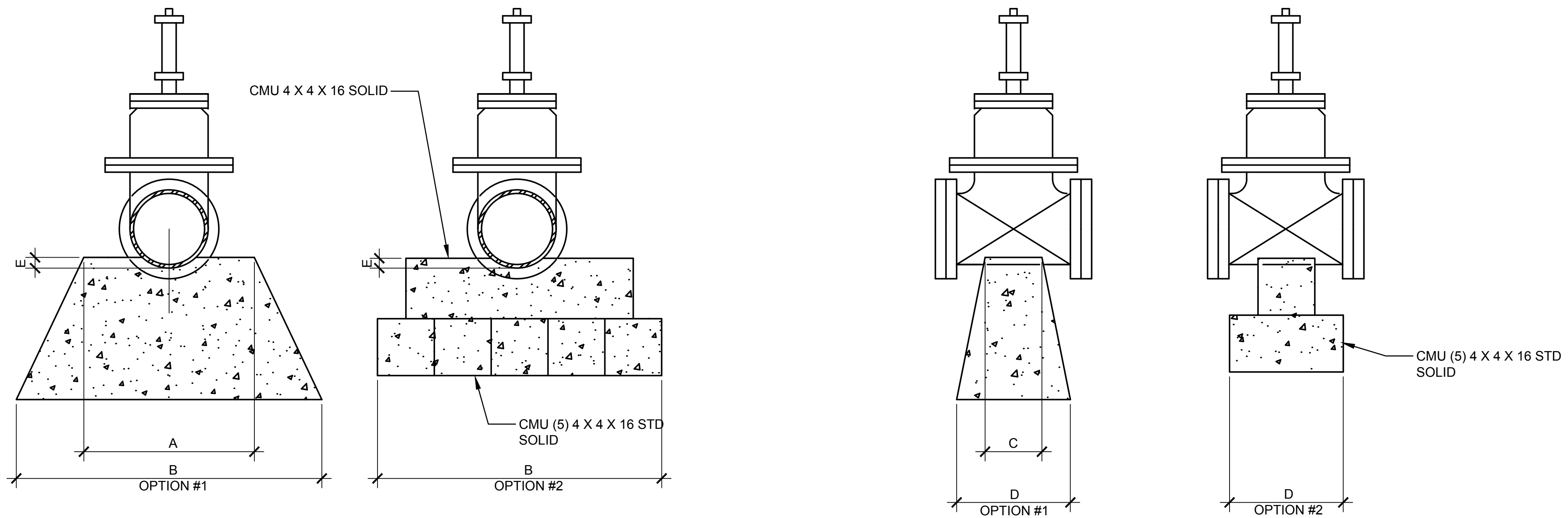


GENERAL NOTES:

1. IF THIS SHEET IS NOT 24" X 36" USE GRAPHIC SCALE ACCORDINGLY
2. CONCRETE f' c = 3000 psi (MINIMUM).
3. BASE AREA MAY BE MODIFIED WHEN SUBSTITUTING PRECAST BLOCK.
4. AT TOP OF SUPPORT, ALLOW SUFFICIENT ROOM FOR ACCESS TO FLANGE CONNECTIONS.
5. AT FRONT VIEWS, NEAR FLANGE NOT SHOWN FOR CLARITY.



FRONT VIEW

SIDE VIEW

X
C-XXXX **WATER VALVE SUPPORT DETAIL**
 SCALE: NONE

DRAWING DEVELOPED FOR ML-3/ML-4 PROJECTS. FOR ML-1/ML-2, ADDITIONAL REQUIREMENTS AND QA REVIEWS ARE REQUIRED. (REMOVE THIS NOTE WHEN INSERTED INTO A DRAWING PACKAGE)

VALVE SUPPORT TABLE

VALVE SIZE	A	B (MIN)	C	D (MIN)
6"	12"	20"	4"	4"
8"	14"	24"	4"	4"
10"	16"	26"	5"	5"
12"	18"	28"	5"	5"
14"	20"	30"	6"	6"
16"	22"	32"	8"	8"
18"	24"	34"	10"	10"

E = 1 1/2" MORTAR BED "CRADLE"

NOTES FOR DESIGNER:

(DO NOT INCLUDE ON CONSTRUCTION DRAWINGS)

1. WHEN EDITING DETAIL TO SUIT PROJECT, ADD JOB SPECIFIC REQUIREMENTS AND DELETE ONLY THOSE PORTIONS THAT DO NOT APPLY. TO SEEK A VARIANCE FROM APPLICABLE REQUIREMENTS, CONTACT THE ESM CIVIL POC.

NO	DATE	CLASS REV	DC	DESCRIPTION	DWN	DSGN	CHKD	SUB	APP
3	09/01/2016	UNCLASS	EJS	ADMIN CHANGES TO NEW FORMAT CAD STD REV#5. MINOR DESIGN CHANGES	EJS	MS	MS	CJRR	TO
2	01/28/2014	U		GENERAL REVISION	KT	MS	JG	RT	TO
1	08/23/2002	U		GENERAL REVISIONS AND DWG.# WAS ST3665	RP	EH	MS	EH	TO

ENGINEERING STANDARDS

CIVIL		DRAWN	R. PEARSON
WATER VALVE SUPPORT DETAIL		DESIGN	E. HOTH
		CHECKED	M. SMITHOUR
		DATE	6-28-99
TA- XX	BLDG XXXX		
SUBMITTED DISCIPLINE POC: EDWARD HOTH		APPROVED FOR RELEASE STANDARDS MANAGER: TOBIN ORUCH	
Los Alamos NATIONAL LABORATORY		P0 Box 1663 Los Alamos, New Mexico 87545	
D.C.: UNCLASSIFIED		REVIEWER: LARRY BAYS	DATE:
PROJECT ID	DRAWING NO	REV	
CHAPTER 3	ST-G3010-6	3	

00% REVIEW
 NOT FOR CONSTRUCTION

D
 C
 B
 A