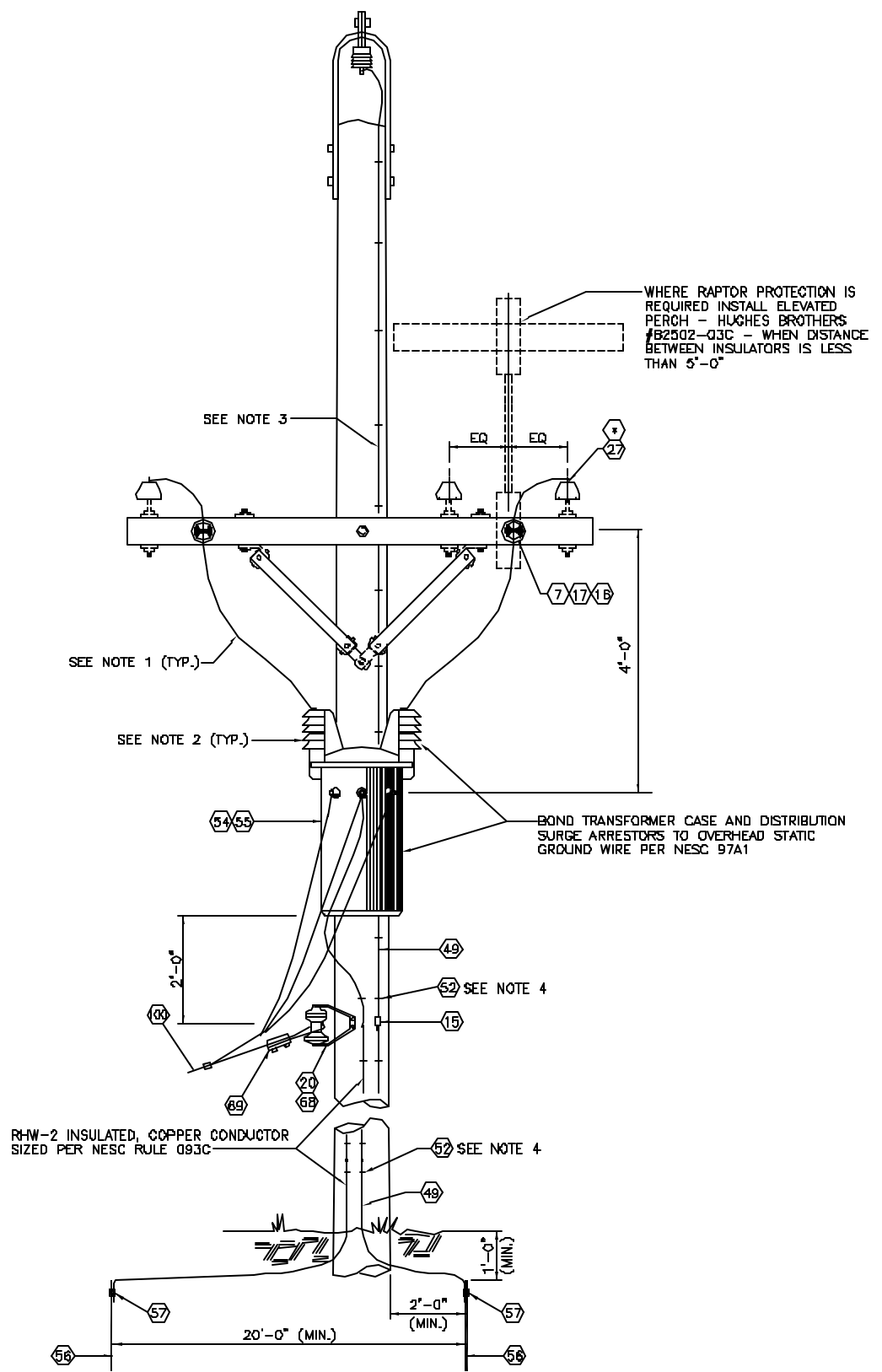


C:\LANL\Engineering\Batteries\Eng. Manual [LEU]2 - Approved\ST-G4010-19E1.dwg, 11/04/02, 11:57 003508B



CSP TRANSFORMER INSTALLATION DETAIL
SCALE: NONE

- GENERAL NOTES:**
- WHERE WILDLIFE/RAPTOR PROTECTION IS REQUIRED USE NON-SHIELDED 15KV INSULATED CABLE FOR CONNECTIONS TO TRANSFORMER PRIMARY BUSHINGS.
 - WHERE WILDLIFE/RAPTOR PROTECTION IS REQUIRED PROVIDE BUSHING COVERS SIMILAR TO PREFORMED LINE PRODUCTS #WP-CSP.
 - WHERE WILDLIFE/RAPTOR PROTECTION IS REQUIRED GROUNDING DOWN CONDUCTOR SHALL BE INSULATED FROM OVERHEAD SHIELD WIRE TO 3'-0" BELOW TRANSFORMER.
 - STAPLES ON GROUND WIRE SHALL BE 2'-0" APART EXCEPT FOR A DISTANCE OF 8'-0" ABOVE GROUND AND 8'-0" FROM TOP OF POLE WHERE THEY SHALL BE 6" APART.
 - EQUIPMENT ITEM NUMBERS ((1)) REFER TO EQUIPMENT NUMBERS IN LANL SUPPORT SERVICES CONTRACTOR'S MASTER BILL OF MATERIALS. ONLY THOSE NUMBERS USED ON THIS DRAWING ARE SHOWN.

BILL OF MATERIALS			
ITEM	DESCRIPTION	QTY	MFR. CATALOG No.
(7)	SPRING WASHER, 5/8" SIZE	2	JOSLYN #J177
(15)	CRIMP CONNECTOR	1	HYTAP
(16)	LOW VOLTAGE STEEL PIN, 5/8", 6" HEIGHT	2	JOSLYN #J2072
(17)	PIN INSULATOR, ANSI CLASS 55-5	2	VICTOR #DR
(20)	MACHINE BOLT, 5/8" X 14"	1	JOSLYN #J8B14
(27)	CLAMP, HOT LINE, FOR ACSR	2	CHANCE #51530-AGP
(28)	HOT LINE CLAMP ADAPTER, 1/0-4/0 ACSR	2	FCI-BURNDY #YCB-28U26
(49)	NO. 1/0 BARE COPPER WIRE, 7 STRAND	AS REQ'D	
(52)	GROUND WIRE STAPLE, 2"	AS REQ'D	JOSLYN #J6655
(54)	TRANSFORMER, CSP CLASS A, 14,400/120/240 LV	1	
(55)	TRANSFORMER MOUNTING BRACKETS	1 SET	ALUMAFORM
(56)	GROUND ROD, 3/4" X 8'	2	JOSLYN #J5338
(57)	GROUND ROD CLAMP, HEX HEAD, 3/4"	2	JOSLYN #J8493
(88)	CLEVIS, WITH INSULATOR	1	JOSLYN #JQ342/J101
(89)	SERVICE WEDGE CLAMP	1	THOMAS & BETTS/BLACKBURN #W62-1
(73)	HOT LINE CLAMP BAIL FOR COPPER	2	THOMAS & BETTS/BLACKBURN #7030C
(74)	COMPRESSION TAP, 1/0 TO #2 SOLID COPPER	2	THOMAS & BETTS/BLACKBURN #CF1D2-1
(75)	COMPRESSION TAP, 2/0 TO #2 SOLID COPPER	2	THOMAS & BETTS/BLACKBURN #CF4D2-1
(100)	SERVICE DROP CABLE, TRIPLEX	AS REQ'D	SELECT BASED ON TRANSFORMER SIZE

* USE ITEM 73 AND 74 OR 75 FOR COPPER CONDUCTORS.
USE ITEM 28 FOR ACSR CONDUCTORS.

NOTES FOR DESIGNER:
(DO NOT INCLUDE ON CONSTRUCTION DRAWING)
1. COMPLY WITH CURRENT EDITION OF LANL DRAFTING MANUAL FOR CALL OUTS PROTOCOL AND LOCATION OF SCHEDULES/MATERIAL.
2. ASSIGN AN APPROPRIATE DRAWING NUMBER PER CURRENT EDITION OF LANL DRAFTING MANUAL PROTOCOL FOR DETAILS.

DRAWING DEVELOPED FOR ML-3/ML-4 PROJECTS. FOR ML-1/ML-2, ADDITIONAL REQUIREMENTS AND QA REVIEWS ARE REQUIRED. (REMOVE THIS NOTE WHEN INSERTED INTO A DRAWING PACKAGE).

NO	DATE	CLASS REV	DESCRIPTION	OWN	VER	CHKD	SUB	APP
LANL ENGINEERING MANUAL SITE ELECTRICAL DISTRIBUTION STDS.				DRAWN		M. BAKER		
DISTRIBUTION CSP TRANSFORMER INSTALLATION DETAIL				DESIGN		D. BRYANT		
BLDG. X				CHECKED		J. LANDMAN		
SUBMITTED				DATE		9/30/02		
DISCIPLINE POCI DAVID POWELL				APPROVED FOR RELEASE		STANDARDS MANAGER TOMMY GRUCH		
				SHEET		1		
CLASSIFICATION U				REVIEWER		MICHAEL LADACH		
PROJECT ID				DATE		9/30/02		
CHAPTER 7				DRAWING NO		ST-G4010-19		
REV				REV		0		