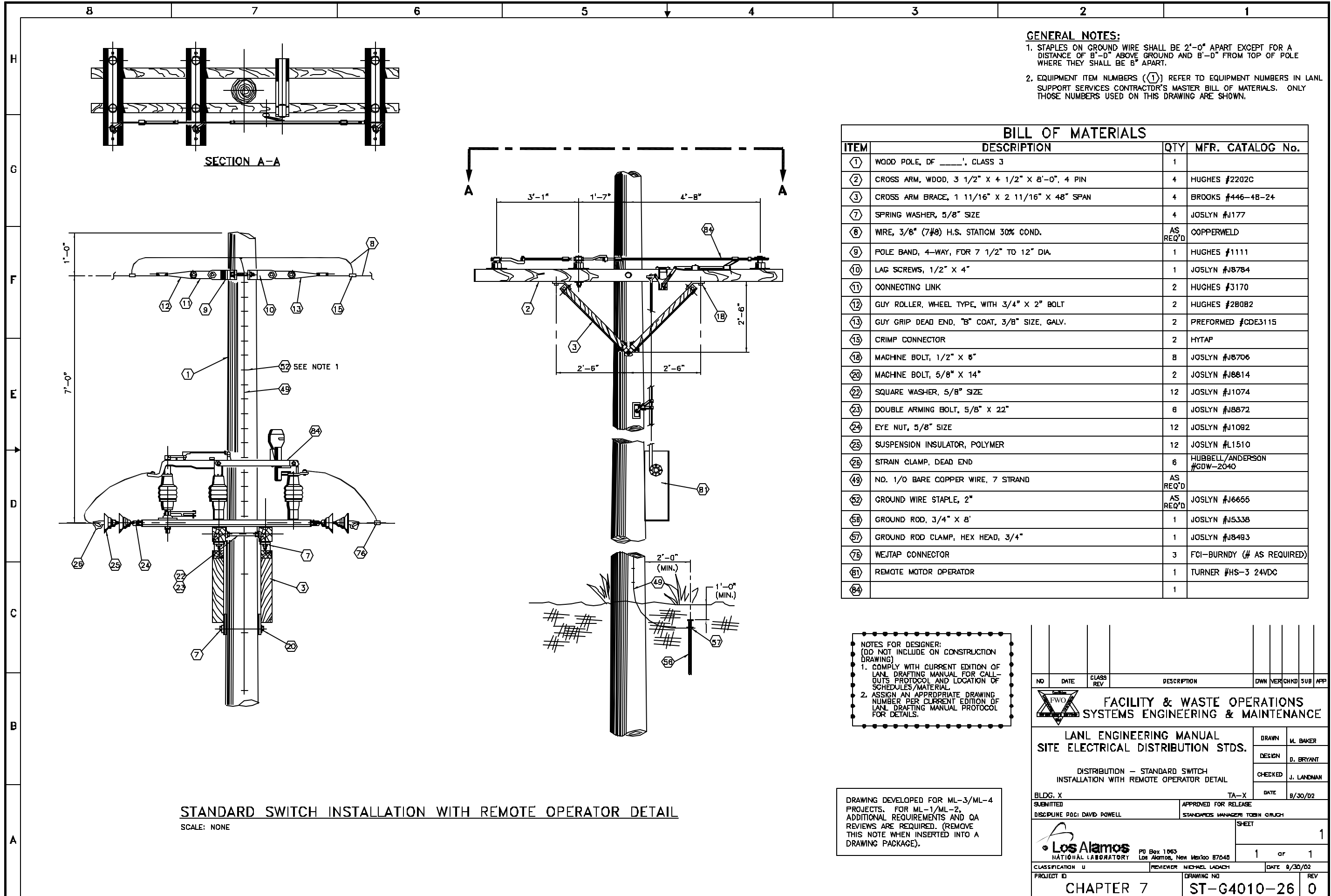


C:\LANL\Engineering\Bumgarner\Eng. Manual [LEU]\2. Approved\ST-G4010-26E1.dwg, 11/04/02, 14:50 083308



GENERAL NOTES:

1. STAPLES ON GROUND WIRE SHALL BE 2'-0" APART EXCEPT FOR A DISTANCE OF 8'-0" ABOVE GROUND AND 8'-0" FROM TOP OF POLE WHERE THEY SHALL BE 6" APART.
2. EQUIPMENT ITEM NUMBERS ((1)) REFER TO EQUIPMENT NUMBERS IN LANL SUPPORT SERVICES CONTRACTOR'S MASTER BILL OF MATERIALS. ONLY THOSE NUMBERS USED ON THIS DRAWING ARE SHOWN.

ITEM	DESCRIPTION	QTY	MFR. CATALOG No.
(1)	WOOD POLE, OF _____', CLASS 3	1	
(2)	CROSS ARM, WOOD, 3 1/2" X 4 1/2" X 8'-0", 4 PIN	4	HUGHES #2202C
(3)	CROSS ARM BRACE, 1 11/16" X 2 11/16" X 48" SPAN	4	BROOKS #446-4B-24
(7)	SPRING WASHER, 5/8" SIZE	4	JOSLYN #J177
(8)	WIRE, 3/8" (7#8) H.S. STATION 30% COND.	AS REQ'D	COPPERWELD
(9)	POLE BAND, 4-WAY, FOR 7 1/2" TO 12" DIA.	1	HUGHES #1111
(10)	LAG SCREWS, 1/2" X 4"	1	JOSLYN #J8784
(11)	CONNECTING LINK	2	HUGHES #3170
(12)	GUY ROLLER, WHEEL TYPE, WITH 3/4" X 2" BOLT	2	HUGHES #280B2
(13)	GUY GRIP DEAD END, "B" COAT, 3/8" SIZE, GALV.	2	PREFORMED #CDE3115
(15)	CRIMP CONNECTOR	2	HYTAP
(18)	MACHINE BOLT, 1/2" X 5"	8	JOSLYN #J8706
(20)	MACHINE BOLT, 5/8" X 14"	2	JOSLYN #J8814
(22)	SQUARE WASHER, 5/8" SIZE	12	JOSLYN #J1074
(23)	DOUBLE ARMING BOLT, 5/8" X 22"	6	JOSLYN #J8872
(24)	EYE NUT, 5/8" SIZE	12	JOSLYN #J1092
(25)	SUSPENSION INSULATOR, POLYMER	12	JOSLYN #L1510
(26)	STRAIN CLAMP, DEAD END	6	HUBBELL/ANDERSON #GDW-2040
(49)	NO. 1/0 BARE COPPER WIRE, 7 STRAND	AS REQ'D	
(52)	GROUND WIRE STAPLE, 2"	AS REQ'D	JOSLYN #J6655
(56)	GROUND ROD, 3/4" X 8'	1	JOSLYN #J5338
(57)	GROUND ROD CLAMP, HEX HEAD, 3/4"	1	JOSLYN #J8493
(76)	WEJTAP CONNECTOR	3	FCI-BURNDY (# AS REQUIRED)
(81)	REMOTE MOTOR OPERATOR	1	TURNER #HS-3 24VDC
(84)		1	

NOTES FOR DESIGNER:
 (DO NOT INCLUDE ON CONSTRUCTION DRAWING)
 1. COMPLY WITH CURRENT EDITION OF LANL DRAFTING MANUAL FOR CALL-OUTS PROTOCOL AND LOCATION OF SCHEDULES/MATERIAL.
 2. ASSIGN AN APPROPRIATE DRAWING NUMBER PER CURRENT EDITION OF LANL DRAFTING MANUAL PROTOCOL FOR DETAILS.

DRAWING DEVELOPED FOR ML-3/ML-4 PROJECTS. FOR ML-1/ML-2, ADDITIONAL REQUIREMENTS AND QA REVIEWS ARE REQUIRED. (REMOVE THIS NOTE WHEN INSERTED INTO A DRAWING PACKAGE).

NO	DATE	CLASS	DESCRIPTION	OWN	VER	CHKD	SUB	APP
FACILITY & WASTE OPERATIONS SYSTEMS ENGINEERING & MAINTENANCE								
LANL ENGINEERING MANUAL SITE ELECTRICAL DISTRIBUTION STDS.				DRAWN		M. BAKER		
DISTRIBUTION - STANDARD SWITCH INSTALLATION WITH REMOTE OPERATOR DETAIL				DESIGN		D. BRYANT		
BLDG. X TA-X				CHECKED		J. LANDMAN		
SUBMITTED				DATE		8/30/02		
DISCIPLINE POCI DAVID POWELL				APPROVED FOR RELEASE		STANDARDS MANAGER TOSH GRUCH		
				SHEET		1		
CLASSIFICATION U				REVIEWER		MICHAEL LADACH		
PROJECT ID				DATE		8/30/02		
CHAPTER 7				DRAWING NO		ST-G4010-26		
0				REV		0		