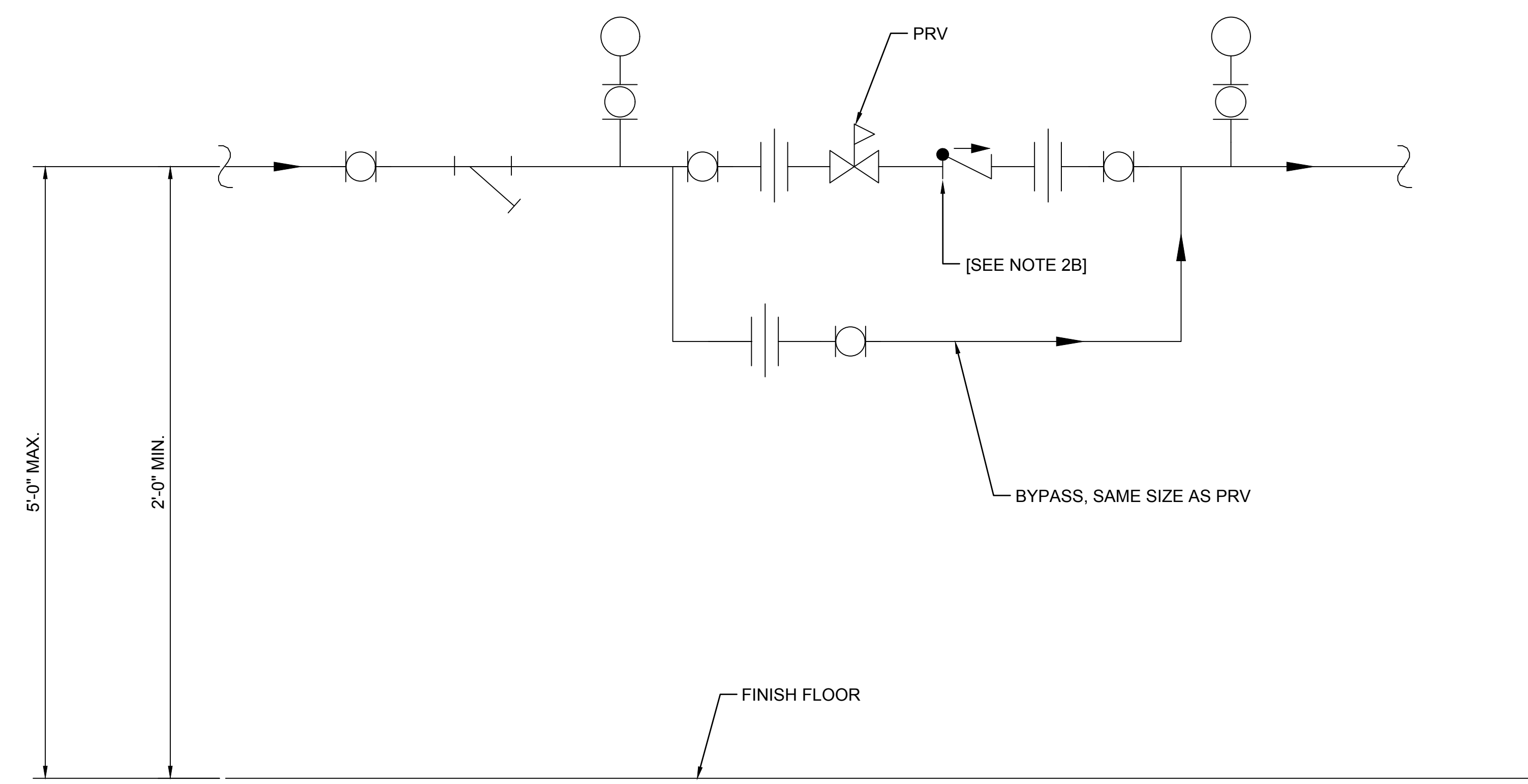


1 2 3 4 5 6

- NOTES FOR DESIGNER:**
 (DO NOT INCLUDE ON CONSTRUCTION DRAWINGS)
1. SEE SHEET 2.
 2. APPLICATION:
 - A. BUILDING SERVICE TO 25 GPM AND HVAC MAKE-UP WATER SYSTEMS.



DRAWING DEVELOPED FOR ML-3/
 ML-4 PROJECTS. FOR ML-1/
 ML-2, ADDITIONAL REQUIREMENTS
 AND QA REVIEWS ARE REQUIRED.
 (REMOVE THIS NOTE WHEN IN-
 SERTED INTO A DRAWING PACK-
 AGE).

WATER PRV PIPING DETAIL
 SCALE: NONE

FLOW RATE (MAXIMUM)	VALVE SIZE (MAX VELOCITY 10 FPS) "CLA-VAL" NO. 990
25 GPM	1"
65 GPM	1 1/2"
95 GPM	2"

NOTE: DO NOT INCLUDE TABLE ON CONSTRUCTION DRAWINGS.

NO	DATE	CLASS REV	DC	DESCRIPTION	DWN	DSGN	CHKD	SUB	APP
4	06-23-2017	UNCLASS	TO	ADMIN. CHANGES TO CAD STD. REV#5 FORMAT & SHEET NUMBER WAS 1 OF 3. 3" 90G-01AS WAS 3" 90G-01AB AND DELETED THE "G" FROM MODEL NUMBERS. REVISED ENG. DIV. LOGO.	JB	AJ	ML	ML	TO
3	07-21-2005	U	LB		RP	RF	JM	CD	TO
2	08-14-2003	U	LB	EDITORIAL CHANGES & DWG. NO. WAS ST6122	RP	RF	RR	GG	TO
1	09-06-2002	U	LB	GENERAL REVISION	RP	JR	GG	GG	TO

ENGINEERING STANDARDS

MECHANICAL		DRAWN	R. PEARSON
WATER PRV PIPING DETAIL BUILDING SERVICE, 25-600 GPM		DESIGN	R. FROST
		CHECKED	G. GREWAL
		DATE	06-28-99
TA- XX BLDG- XX			
SUBMITTED DISCIPLINE POC: CHARLES DUPRE		APPROVED FOR RELEASE STANDARDS MANAGER: TOBIN ORUCH	
Los Alamos NATIONAL LABORATORY		PO Box 1663 Los Alamos, New Mexico 87545	
D.C.: U		REVIEWER: LARRY BAYS	DATE: 06-28-99
PROJECT ID		DRAWING NO	REV
CHAPTER 6		ST-D2020-2	4

00% REVIEW
NOT FOR CONSTRUCTION

D
C
B
A