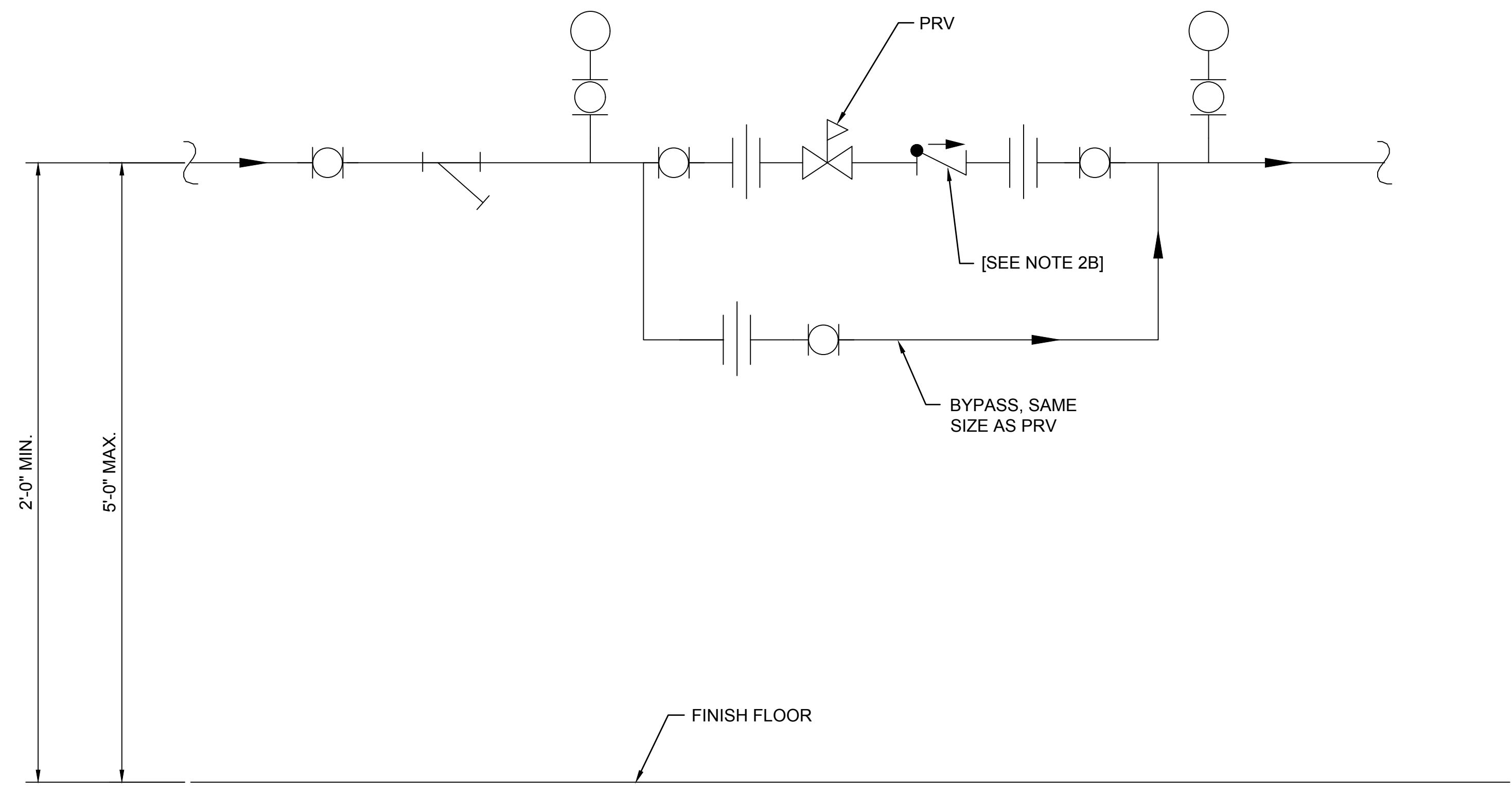


D  
C  
B  
A

**NOTES FOR DESIGNER:** (DO NOT INCLUDE ON CONSTRUCTION DRAWINGS)

1. WHEN EDITING DETAIL TO SUIT PROJECT, ADD JOB SPECIFIC REQUIREMENTS AND DELETE ONLY THOSE PORTIONS THAT DO NOT APPLY. TO SEEK A VARIANCE FROM APPLICABLE REQUIREMENTS, CONTACT THE ESM MECHANICAL POC.
2. SIZE PRV PER MANUFACTURER'S INSTRUCTIONS.
3. REFER TO THE FOLLOWING LANL STANDARDS FOR ADDITIONAL REQUIREMENTS:
  - A. ENGINEERING STANDARDS MANUAL, MECHANICAL CHAPTER.
  - B. MASTER SPECIFICATION 22 1100, FACILITY WATER DISTRIBUTION.
  - C. MECH DRAWING ST-D2020-1, SITE/BUILDING WATER COMPONENT DIAGRAM.
4. SUGGESTED PRV SETTINGS:
  - A. BUILDING SERVICE; LEAD PRV NORMALLY SET AT APPROXIMATELY 55-60 PSIG WITH THE LAG PRV SET 3-5 PSIG LOWER.
  - B. MISCELLANEOUS (TRAILERS AND TRANSPORTABLES); NORMALLY SET AT 40 PSIG.
  - C. MAKE-UP WATER SYSTEMS (HEATING, COOLING, COOLING TOWERS, BOILERS, ETC.); NORMALLY SET AT 15-20 PSIG.
5. OTHER FILTERING DEVICES, (CENTRIFUGAL SEPARATORS, CARTRIDGE FILTERS, ETC.) MAY BE USED IN LIEU OF A STRAINER WHEN REQUIRED.
6. APPLICATION:
  - A. BUILDING SERVICE TO 25 GPM AND HVAC MAKE-UP WATER SYSTEMS.
  - B. CHECK VALVE REQUIRED ONLY IN TEMPORARY OFFICE BUILDINGS (TRAILERS, TRANSPORTABLES, ETC.)



DRAWING DEVELOPED FOR ML-3/ML-4 PROJECTS. FOR ML-1/ML-2, ADDITIONAL REQUIREMENTS AND QA REVIEWS ARE REQUIRED. (REMOVE THIS NOTE WHEN INSERTED INTO A DRAWING PACKAGE).

**WATER PRV PIPING DETAIL**  
SCALE: NONE

FLOW RATE (MAXIMUM)	VALVE SIZE (MAX VELOCITY 10 FPS) "CLA-VAL" NO. 990
25 GPM	1"
65 GPM	1 1/2"
95 GPM	2"

NOTE: DO NOT INCLUDE TABLE ON CONSTRUCTION DRAWINGS.

NO	DATE	CLASS REV	DC	DESCRIPTION	DWN	DSGN	CHKD	SUB	APP
4	06-23-2017	UNCLASS	TO	ADMIN. CHANGES TO CAD STD. REV#5 FORMAT & SHEET NUMBER WAS 2 OF 3.	JB	AJ	ML	ML	TO
3	07-21-2005	U	LB	DELETE PART NO. 911 FROM TABLE ADDED CHECK VALVE TO DETAIL REVISED NOTE 2B, AND ENG. DIV. LOGO	RP	RF	JM	CD	TO
2	08-14-2003	U	LB	EDITORIAL CHANGES & DWG. NO. WAS ST6122	RP	RF	RR	GG	TO
1	09-06-2002	U	LB	GENERAL REVISION	RP	JR	GG	GG	TO

**ENGINEERING STANDARDS**

**MECHANICAL**

**WATER PRV PIPING DETAIL  
MISCELLANEOUS SERVICE, 25-95 GPM**

DRAWN	R. PEARSON
DESIGN	R. FROST
CHECKED	G. GREWAL
DATE	06-28-99

TA- XX BLDG- XX

SUBMITTED DISCIPLINE POC: CHARLES DUPRE APPROVED FOR RELEASE STANDARDS MANAGER: TOBIN ORUCH

SHEET **2**

**2** OF **2**

D.C.: U REVIEWER: LARRY BAYS DATE: 06-28-99

PROJECT ID DRAWING NO **CHAPTER 6 ST-D2020-2** REV **4**

00% REVIEW  
NOT FOR CONSTRUCTION