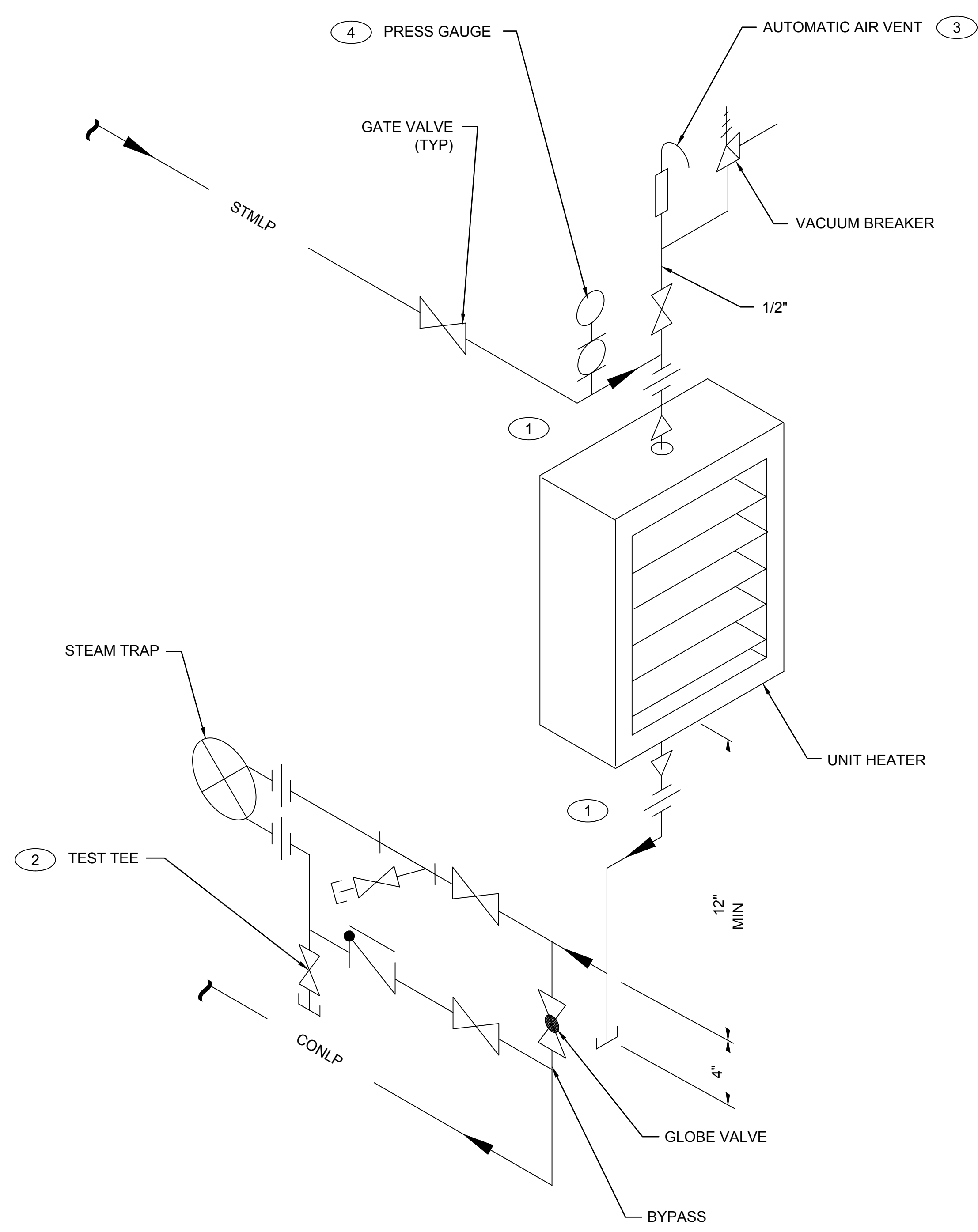


D
C
B
A

KEYED NOTES:

- ① INSTALL SWING JOINTS AT HEATER CONNECTIONS.
- ② PROVIDE 1/2" VALVE IN BOTTOM OF CONDENSATE LINE.
- ③ LOCATE AIR VENT AND VACUUM BREAKER IN TOP SIDE OF COIL AT FURTHEST POINT FROM STEAM INLET. IF THIS IS NOT POSSIBLE, LOCATE DOWNSTREAM OF CONTROL VALVE IN PIPING HIGH POINT.
- ④ ON STEAM SERVICES, PROTECT THE PRESSURE GAUGE WITH A PIGTAIL SIPHON.



DRAWING DEVELOPED FOR ML-3/ ML-4 PROJECTS. FOR ML-1/ ML-2, ADDITIONAL REQUIREMENTS AND QA REVIEWS ARE REQUIRED. (REMOVE THIS NOTE WHEN INSERTED INTO A DRAWING PACKAGE).

STEAM UNIT HEATER PIPING DETAIL
SCALE: NONE

NOTES FOR DESIGNER: (DO NOT INCLUDE ON CONSTRUCTION DRAWING)

- 1. SEE SHEET 2.

2	06-29-2017	UNCLASS	TO	ADMIN. CHANGES TO CAD STD. REV#5 FORMAT	JB	AJ	ML	ML	TO
1	08-13-2003	U		REVISED TO COMPLY WITH DRAFTING MANUAL & DWG NO. WAS ST6201	RP	RF	JM	GG	TO
NO	DATE	CLASS REV	DC	DESCRIPTION	DWN	DSGN	CHKD	SUB	APP

ENGINEERING STANDARDS									
MECHANICAL					DRAWN	R.PEARSON			
STEAM UNIT HEATER PIPING DETAIL					DESIGN	R.FROST			
					CHECKED	C.DuPRE			
					DATE	6-28-99			
TA- XX		BLDG XX							
SUBMITTED DISCIPLINE POC: GURINDER GREWAL				APPROVED FOR RELEASE STANDARDS MANAGER: TOBIN ORUCH					
					SHEET 1 OF 2				
Los Alamos NATIONAL LABORATORY PO Box 1663 Los Alamos, New Mexico 87545									
D.C.: U		REVIEWER: LARRY BAYS		DATE: 6-28-99					
PROJECT ID		DRAWING NO		REV					
CHAPTER 6		ST-D3020-1		2					

00% REVIEW NOT FOR CONSTRUCTION