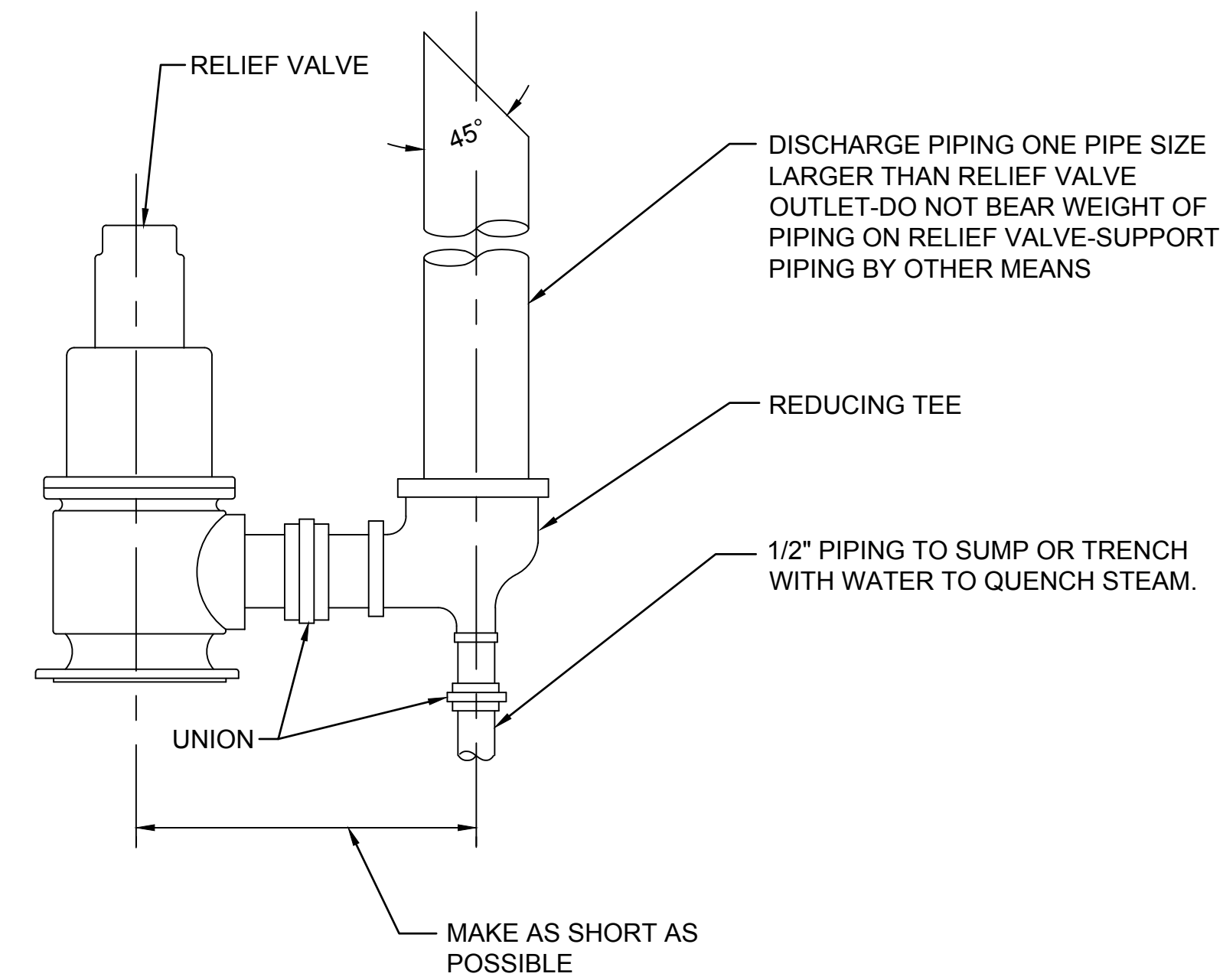


D

C

B

A



DRAWING DEVELOPED FOR ML-3/ ML-4 PROJECTS. FOR ML-1/ ML-2, ADDITIONAL REQUIREMENTS AND QA REVIEWS ARE REQUIRED. (REMOVE THIS NOTE WHEN INSERTED INTO A DRAWING PACKAGE).

○ **STEAM DRIP PAN ELBOW DETAIL**
SCALE: NONE

NOTES FOR DESIGNER: (DO NOT INCLUDE ON CONSTRUCTION DRAWINGS)

1. WHEN EDITING DETAIL TO SUIT PROJECT, ADD JOB SPECIFIC REQUIREMENTS AND DELETE ONLY THOSE PORTIONS THAT DO NOT APPLY. TO SEEK A VARIANCE FROM APPLICABLE REQUIREMENTS, CONTACT THE ESM MECHANICAL POC.
2. KEEP LENGTH OF DISCHARGE PIPING TO A MINIMUM.
3. ROUTE DISCHARGE PIPING THROUGH ROOF. TERMINATE 10 FEET ABOVE ROOF TO PREVENT ANY POTENTIAL PERSONNEL BURN HAZARDS.

2	06-23-2017	UNCLASS	TO	ADMIN. CHANGES TO CAD STD. REV#5 FORMAT	JB	AJ	ML	ML	TO
1	08-13-2003	U	LB	REVISED TO COMPLY WITH DRAFTING MANUAL & REVISED DISCHARGE PIPING. DWG.WAS ST6204	RP	RF	JM	GG	TO
NO	DATE	CLASS REV	DC	DESCRIPTION	DWN	DSGN	CHKD	SUB	APP

ENGINEERING STANDARDS

MECHANICAL				DRAWN	R.PEARSON
STEAM DRIP PAN ELBOW DETAIL				DESIGN	A.BRIDGE
1/2" - 1 1/2" SIZE				CHECKED	G.GREWAL
TA- XX	BLDG- XX	DATE	06-28-99		
SUBMITTED DISCIPLINE POC: GURINDER GREWAL			APPROVED FOR RELEASE STANDARDS MANAGER: TOBIN ORUCH		
Los Alamos NATIONAL LABORATORY				SHEET 2	
PO Box 1663 Los Alamos, New Mexico 87545				2 OF 2	
D.C.: U	REVIEWER: LARRY BAYS	DATE:	06-28-99		
PROJECT ID	DRAWING NO	REV			
CHAPTER 6	ST-D3020-4	2			

00% REVIEW NOT FOR CONSTRUCTION