

1

2

3

4

5

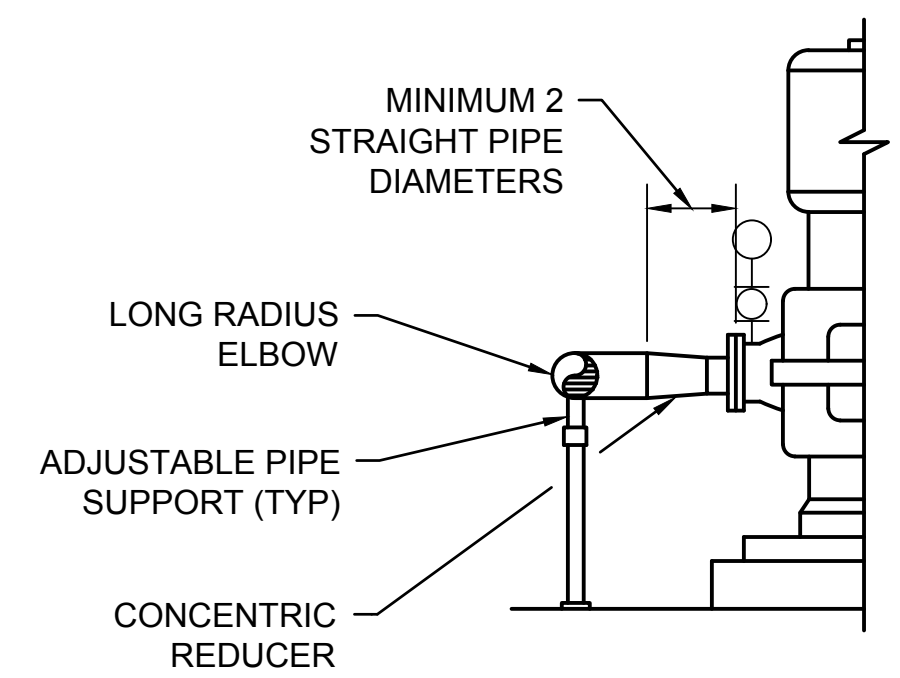
6

D

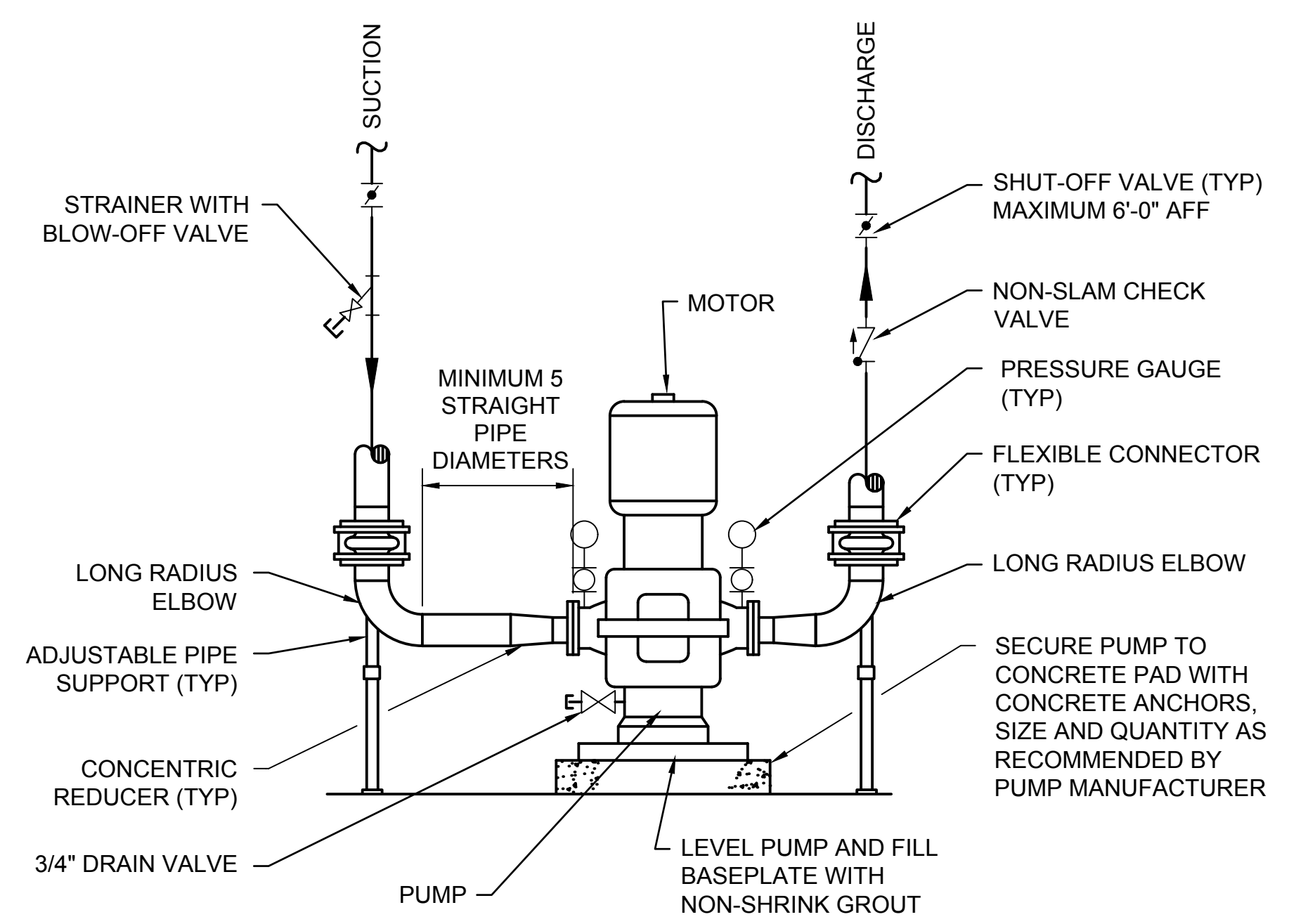
C

B

A



HORIZONTAL SUCTION PIPING DETAIL
SCALE: NONE



PUMP PIPING DETAIL
SCALE: NONE

NOTES FOR DESIGNER: (DO NOT INCLUDE ON CONSTRUCTION DRAWINGS)

1. SEE SHEETS 7.
2. STANDARD RIGHT HAND ROTATION (CCW) PUMP SHOWN.

DRAWING DEVELOPED FOR ML-3/
ML-4 PROJECTS. FOR ML-1/
ML-2, ADDITIONAL REQUIREMENTS
AND QA REVIEWS ARE REQUIRED.
(REMOVE THIS NOTE WHEN
INSERTED INTO A DRAWING
PACKAGE).

NO	DATE	CLASS REV	DC	DESCRIPTION	DWN	DSGN	CHKD	SUB	APP
3	06-29-2017	UNCLASS	TO	ADMIN. CHANGES TO CAD STD. REV#5 FORMAT & SHEET NUMBER WAS 4 OF 8.	JB	AJ	ML	ML	TO
2	08-14-2003	U	LB	EDITORIAL CHANGES & DWG. NO. WAS ST6120	RP	RF	RR	GG	TO
1	09-06-2002	U	LB	GENERAL REVISION	RP	BB	GG	GG	TO

ENGINEERING STANDARDS

MECHANICAL		DRAWN	R.PEARSON
PUMP PIPING DETAIL		DESIGN	B.BURTSCHHELL
VERTICAL SPLIT CASE, DOUBLE SUCTION		CHECKED	G.GREWAL
TA- XX	BLDG- XX	DATE	06-28-99
SUBMITTED DISCIPLINE POC: GURINDER GREWAL		APPROVED FOR RELEASE STANDARDS MANAGER: TOBIN ORUCH	
SHEET		4	
Los Alamos NATIONAL LABORATORY		PO Box 1663 Los Alamos, New Mexico 87545	
D.C.: U		REVIEWER: LARRY BAYS	DATE: 06-28-99
PROJECT ID	DRAWING NO	REV	
CHAPTER 6	ST-D30GEN-4	3	

00% REVIEW
NOT FOR CONSTRUCTION